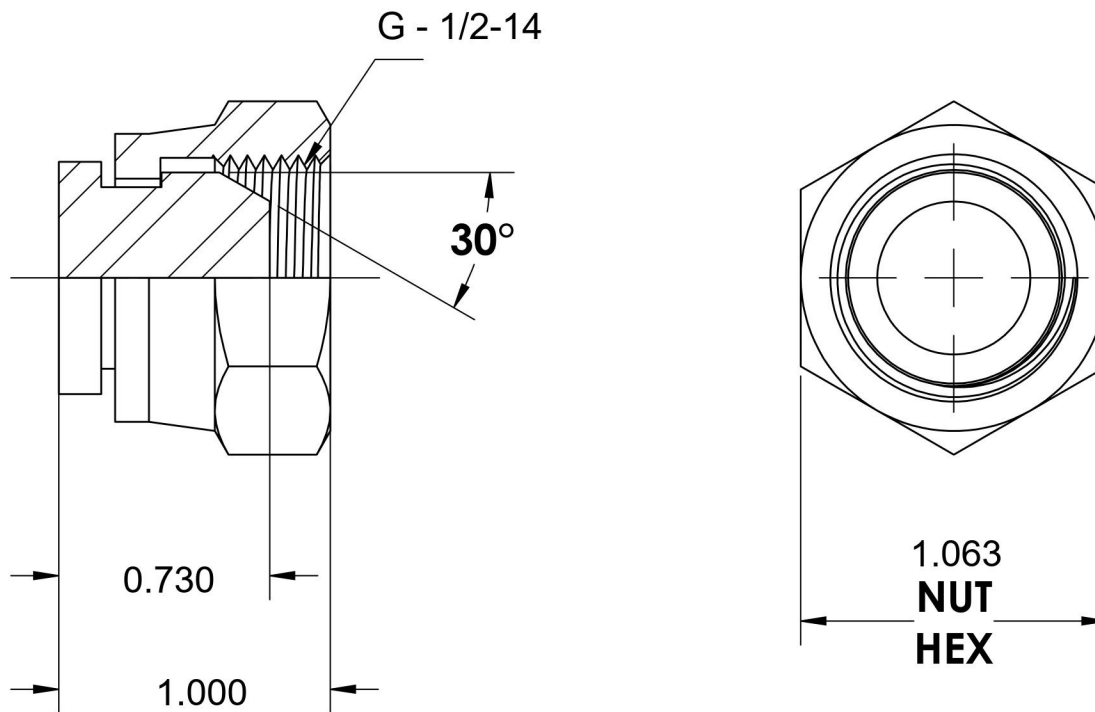
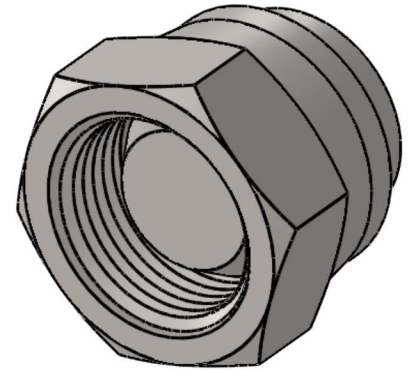


9644-C-08-SS

Stainless Steel, ISO 8434-6 60° Cone BSPP Swivel Cap, 1/2" Female BSPP Swivel



6701 Cochran Road
Solon, Ohio 44139
Phone: (440) 248-1880
Toll Free: 1-888-331-1523

| | | | |
|-----------------------------------------------|---------------------------------------------|-----------------------------------------|---------------------------------------------------------------------|
| Temperature Rating -425°F to 1200°F | Material 316/316L Stainless Steel | Industry Standards ISO 8434-6 | Series 9644-C-SS |
| Pressure Rating 2900 psi | Finish Passivated | | Series Description ISO 8434-6 60° Cone BSPP Swivel Cap |