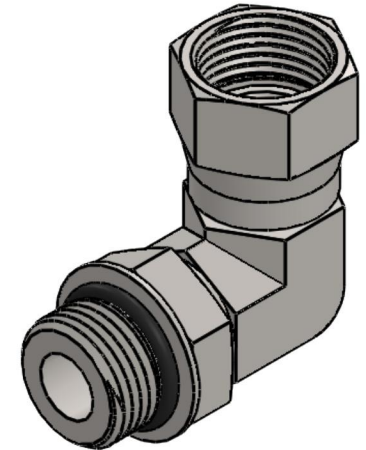
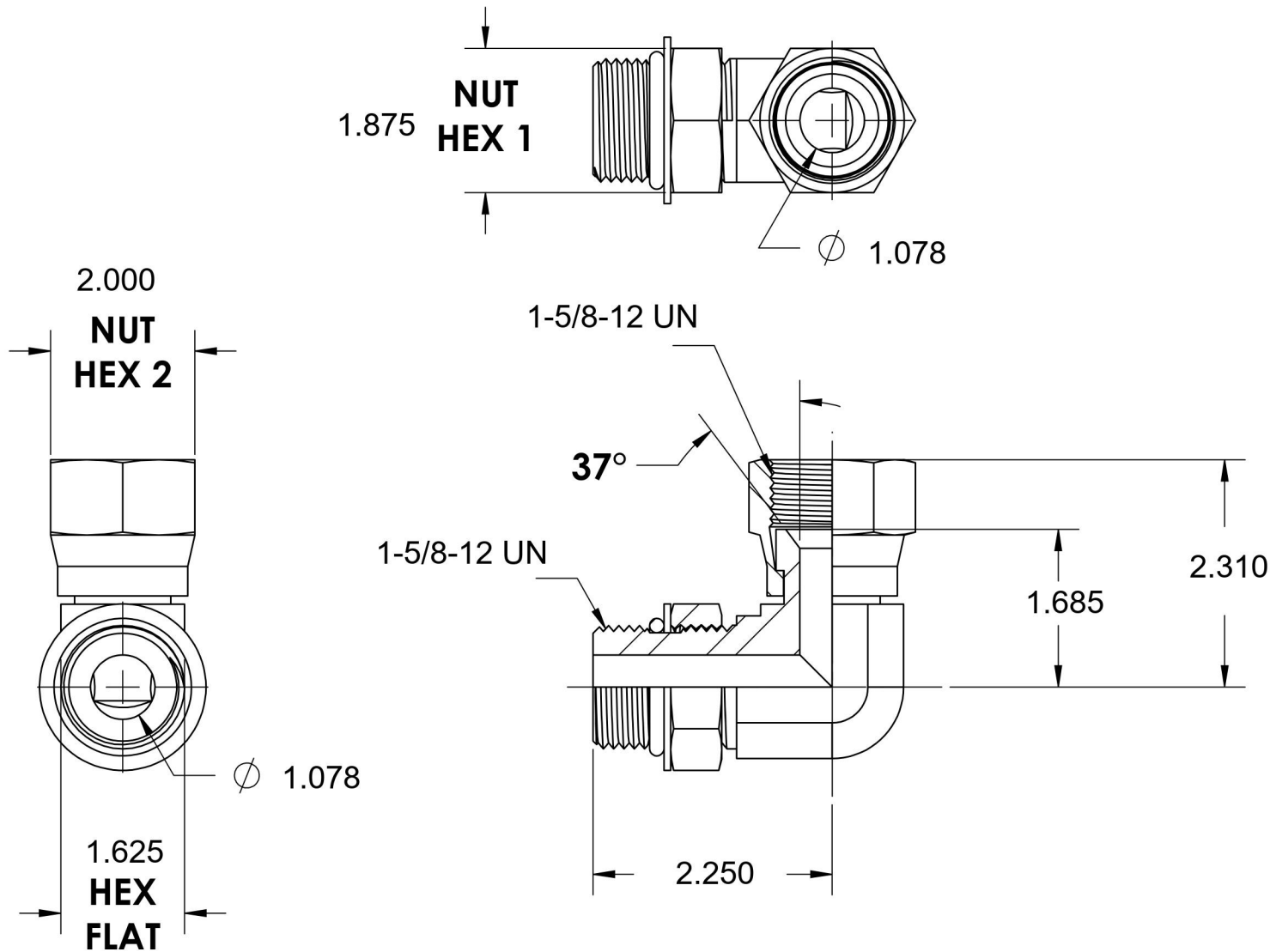


6809-20-20-NWO-SS

Stainless Steel, SAE J514 37° Flare Swivel 90° Adjustable Port Elbow, 1-5/8-12 Male Adjustable ORB x 1-1/4" Female JIC Swivel



6701 Cochran Road
Solon, Ohio 44139
Phone: (440) 248-1880
Toll Free: 1-888-331-1523

Temperature Rating	Material	Industry Standards	Series
-40°F to 250°F	316/316L Stainless Steel	SAE J1926, SAE J514	6809-NWO-FG
Pressure Rating	Finish		Series Description
3000 psi	Passivated		SAE J514 37° Flare Swivel 90° Adjustable Port Elbow