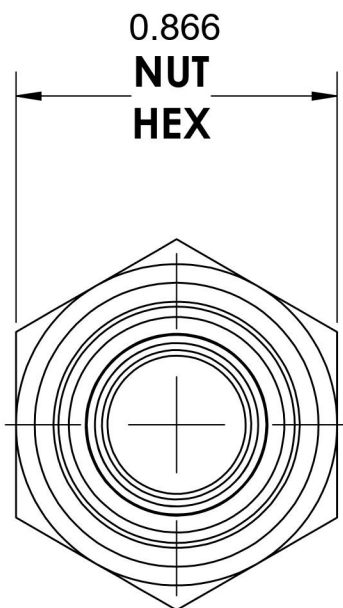
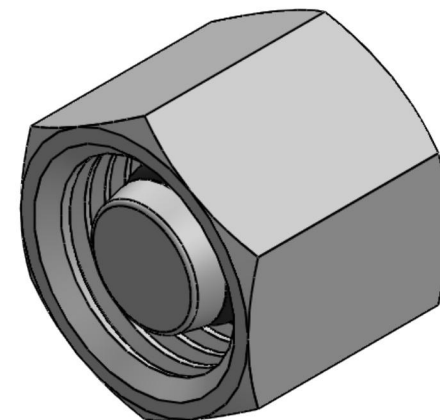
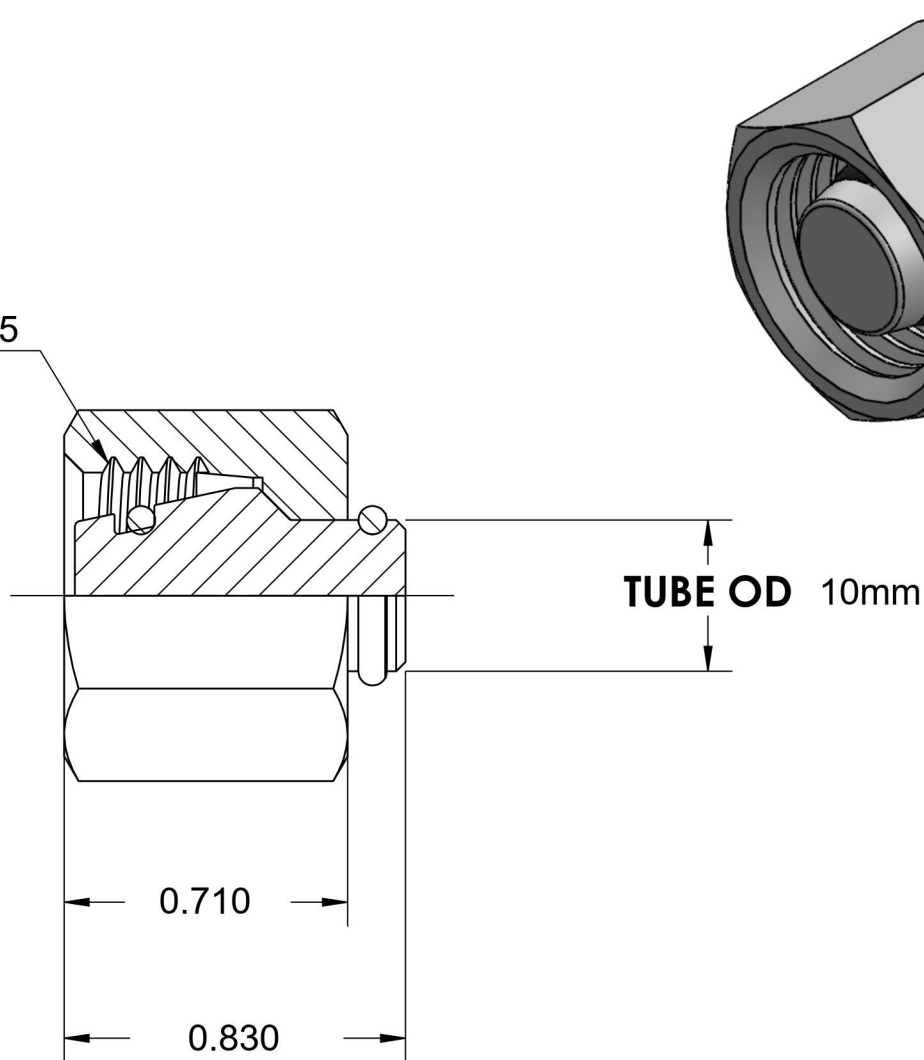


D0304-C-S10-SS

Stainless Steel, DIN 2353 Blanking Plug, Heavy 10mm Tube OD



M18X1.5



6701 Cochran Road
Solon, Ohio 44139
Phone: (440) 248-1880
Toll Free: 1-888-331-1523

Temperature Rating	Material	Industry Standards	Series
-15°F to 400°F	316Ti Stainless Steel	DIN 2353, ISO 8434-1	D0304-C-SS
Pressure Rating	Finish		Series Description
Not Available	Passivated		DIN 2353 Flareless Tube Blanking Cap Assembly