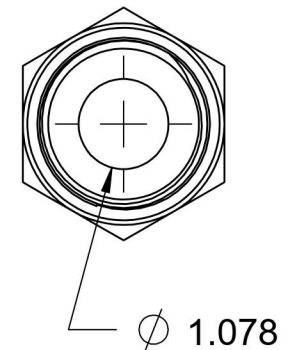
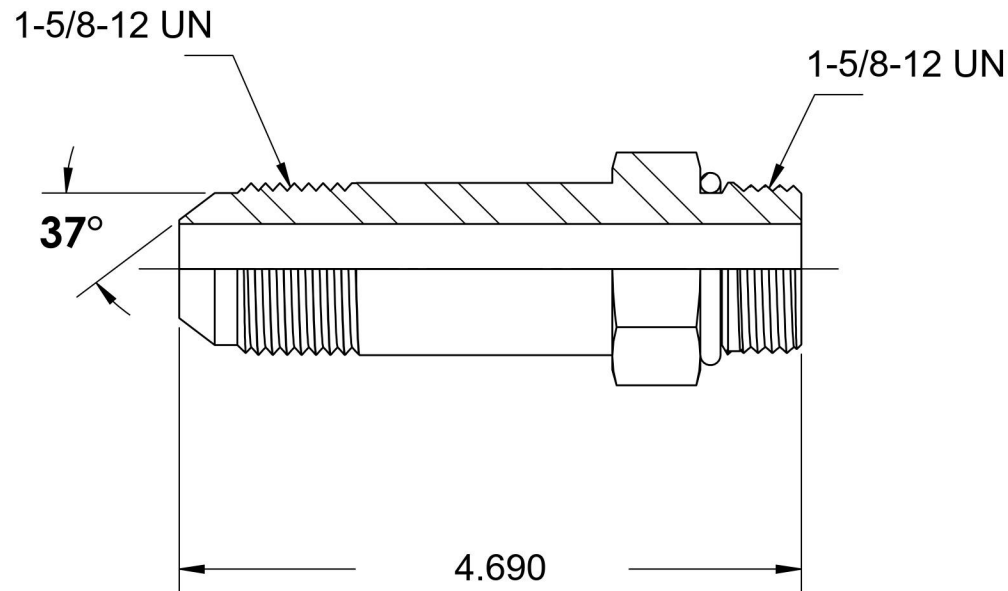
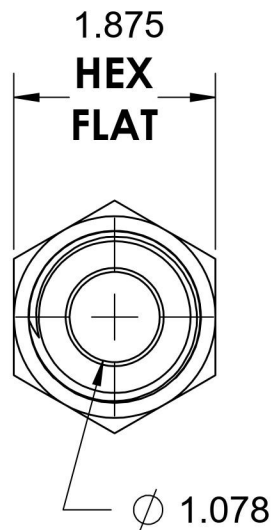
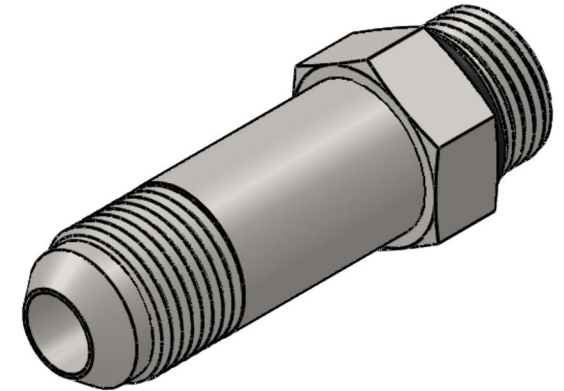


6400-L-20-20-O

Steel, SAE J514 37° Flare Long Port Connector, 1-1/4" Male JIC x 1-5/8-12 Male ORB



6701 Cochran Road
Solon, Ohio 44139
Phone: (440) 248-1880
Toll Free: 1-888-331-1523

Temperature Rating -40°F to 250°F	Material C1045/12L14 Steel	Industry Standards SAE J514, SAE J1926-3 SAE J515, ASTM B633	Series 6400-L-O
Pressure Rating 4000 psi	Finish Trivalent Zinc		Series Description SAE J514 37° Flare Long Port Connector