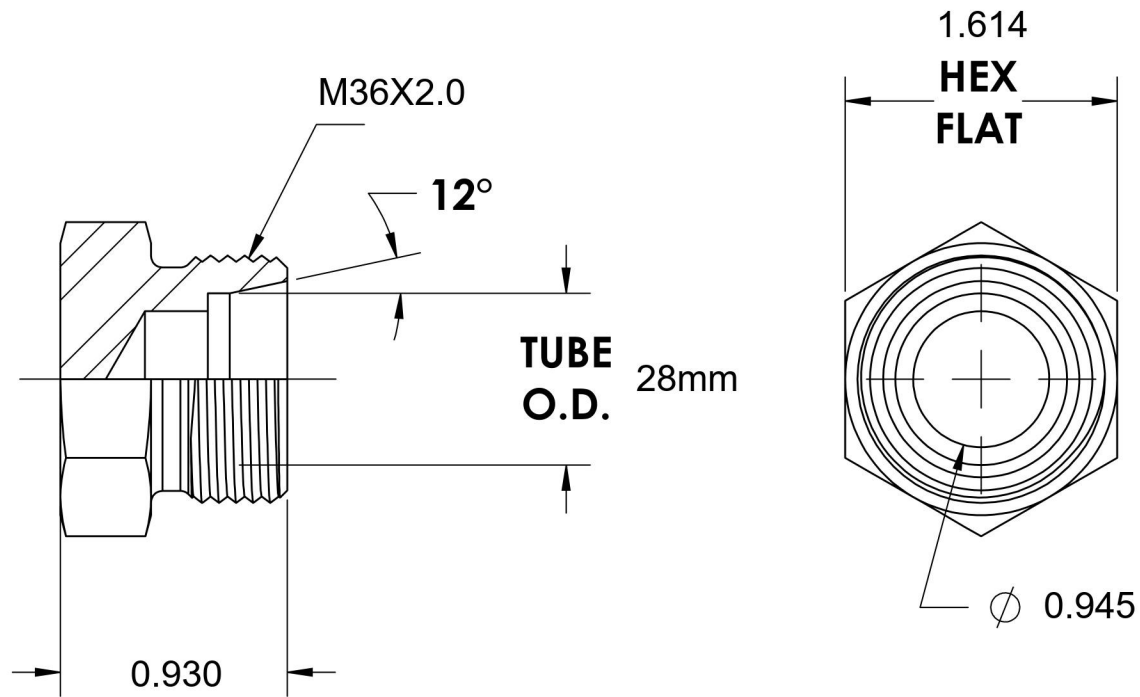
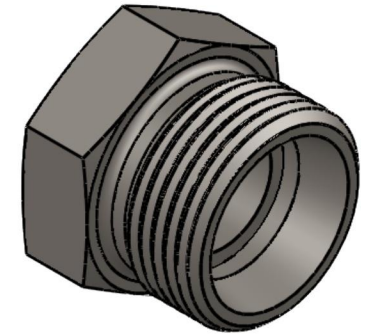


D2408-L28-X

Steel, DIN 2353 Plug, Light 28mm Tube OD, Body Only



6701 Cochran Road
Solon, Ohio 44139
Phone: (440) 248-1880
Toll Free: 1-888-331-1523

Temperature Rating	Material	Industry Standards	Series
-65°F to 500°F	C22 Steel	DIN 2353, ISO 8434-1	D2408-X
Pressure Rating	Finish		Series Description
3626 psi	Zinc Nickel		DIN 2353 Flareless Tube Plug, Body Only