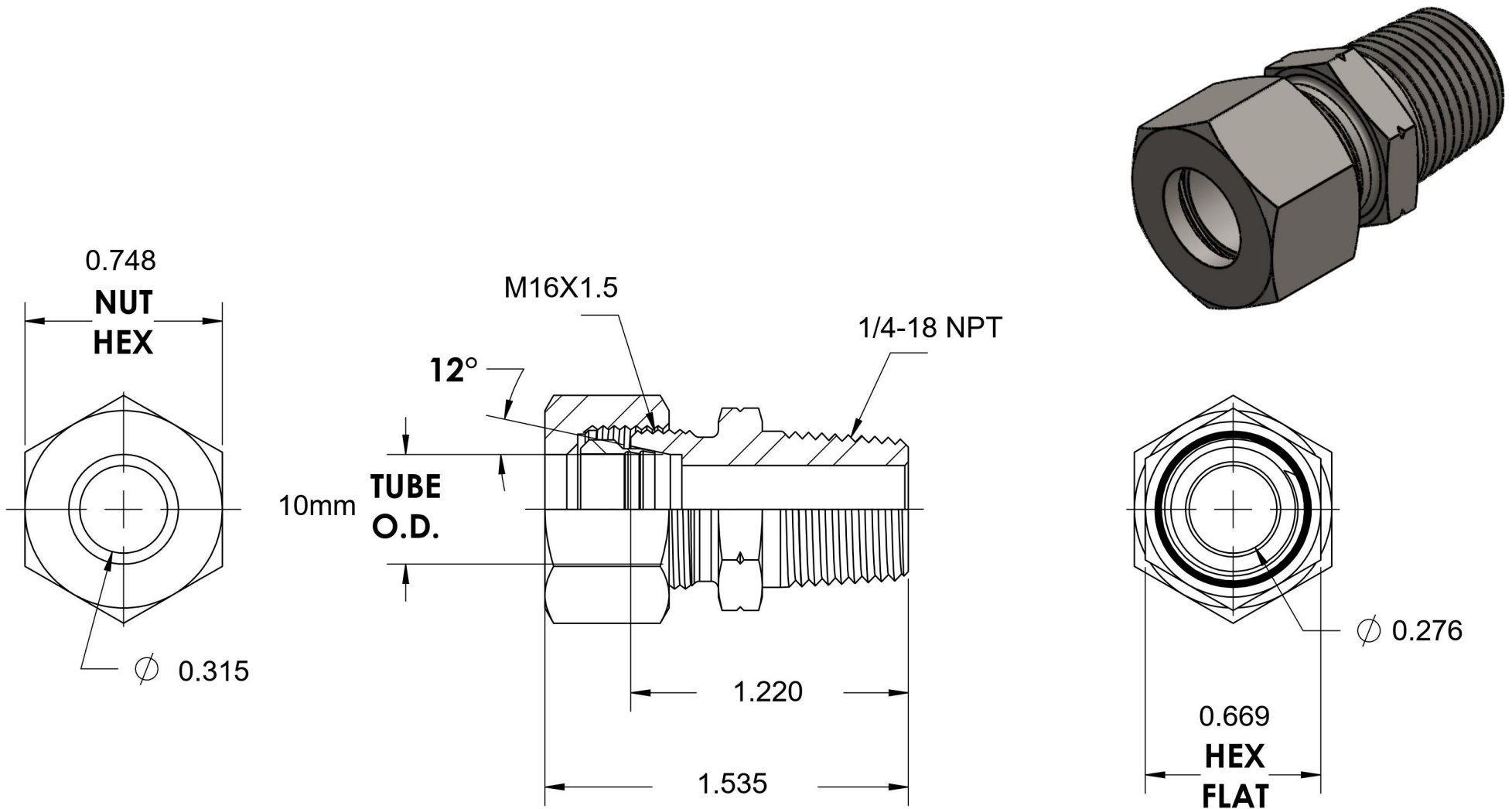


D2404-L10-04

Steel, DIN 2353 Male Connector, Light 10mm Tube OD x 1/4" NPT



6701 Cochran Road
Solon, Ohio 44139
Phone: (440) 248-1880
Toll Free: 1-888-331-1523

Temperature Rating -65°F to 500°F	Material C22 Steel	Industry Standards DIN 2353, ISO 8434-1 ANSI/ASME B1.20.1	Series D2404
Pressure Rating 4569psi	Finish Zinc Nickel		Series Description DIN 2353 Flareless Tube Male Connector