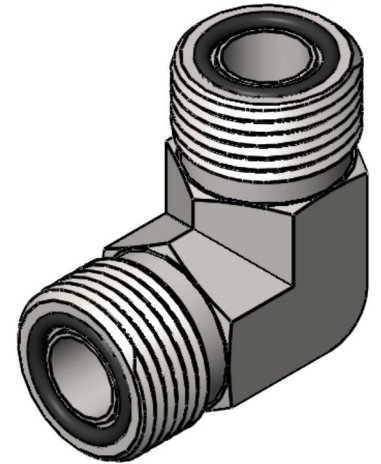
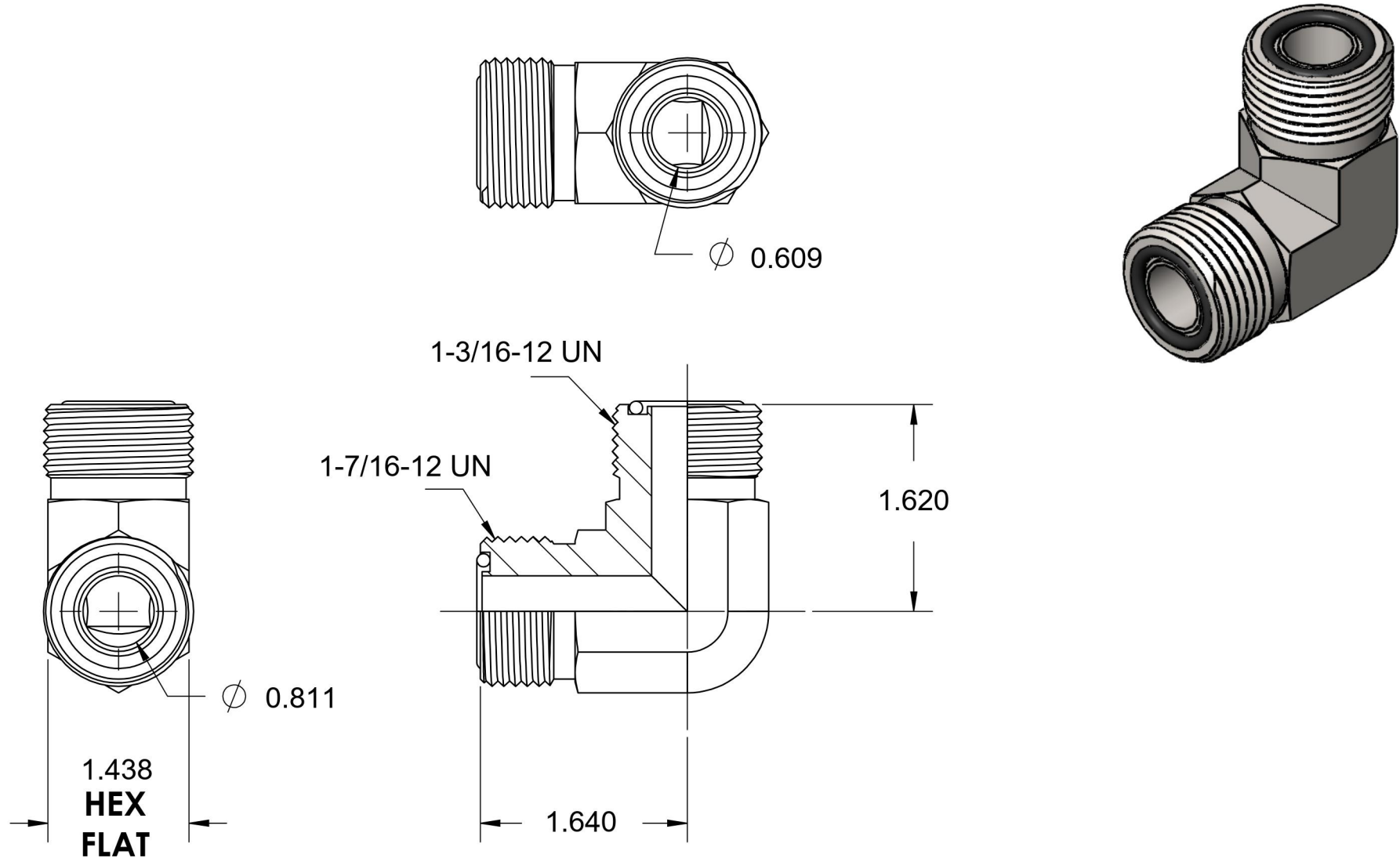


FS2500-16-12-FG

Steel, SAE J1453 O-Ring Face Seal 90° Union Elbow, 1" Male ORFS x 3/4" Male ORFS



6701 Cochran Road
Solon, Ohio 44139
Phone: (440) 248-1880
Toll Free: 1-888-331-1523

| | | | |
|---------------------------|-----------------|---------------------------|-----------------------------------------------|
| Temperature Rating | Material | Industry Standards | Series |
| -40°F to 250°F | C1045 Steel | SAE J1453, ASTM B633 | FS2500-FG |
| Pressure Rating | Finish | | Series Description |
| 6000psi | Trivalent Zinc | | SAE J1453 O-Ring Face Seal 90° Union Elbow |