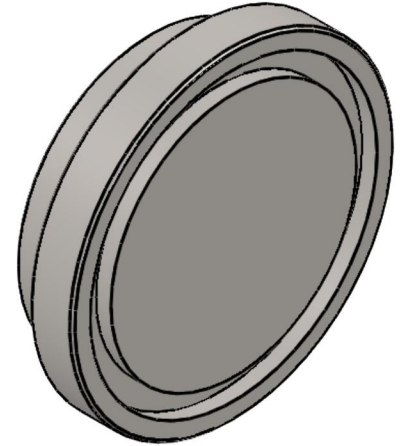
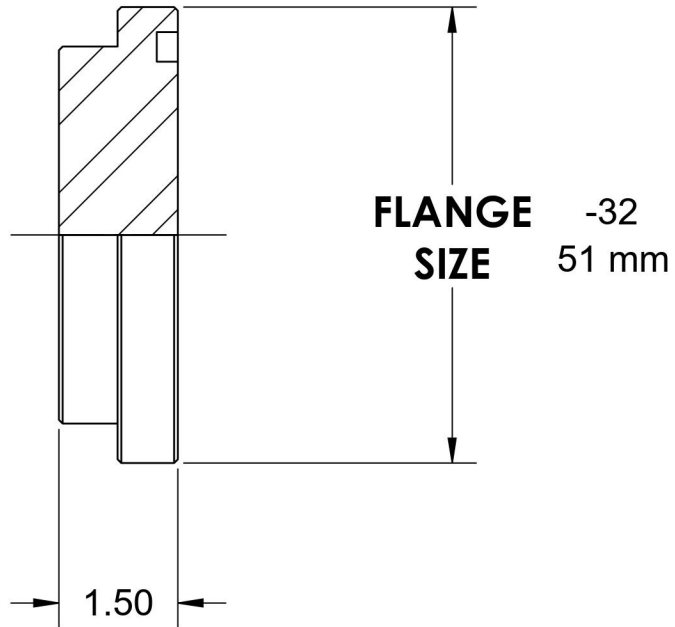
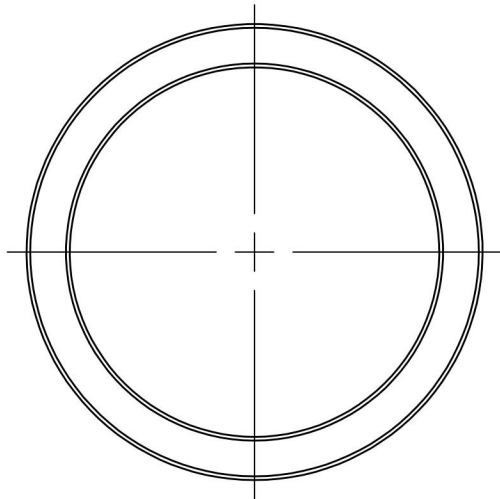


# 1824-32

32 O-Ring Face Flange Plug Code 62



6701 Cochran Road  
Solon, Ohio 44139  
Phone: (440) 248-1880  
Toll Free: 1-888-331-1523

<b>Temperature Rating</b> -65°F to 500°F	<b>Material</b> C1045/12L14 Steel	<b>Industry Standards</b> SAE J518, ASTM B633	<b>Series</b> 1824
<b>Pressure Rating</b> 6000 psi	<b>Finish</b> Trivalent Zinc		<b>Series Description</b> SAE J518 Code 62 Flange Plug