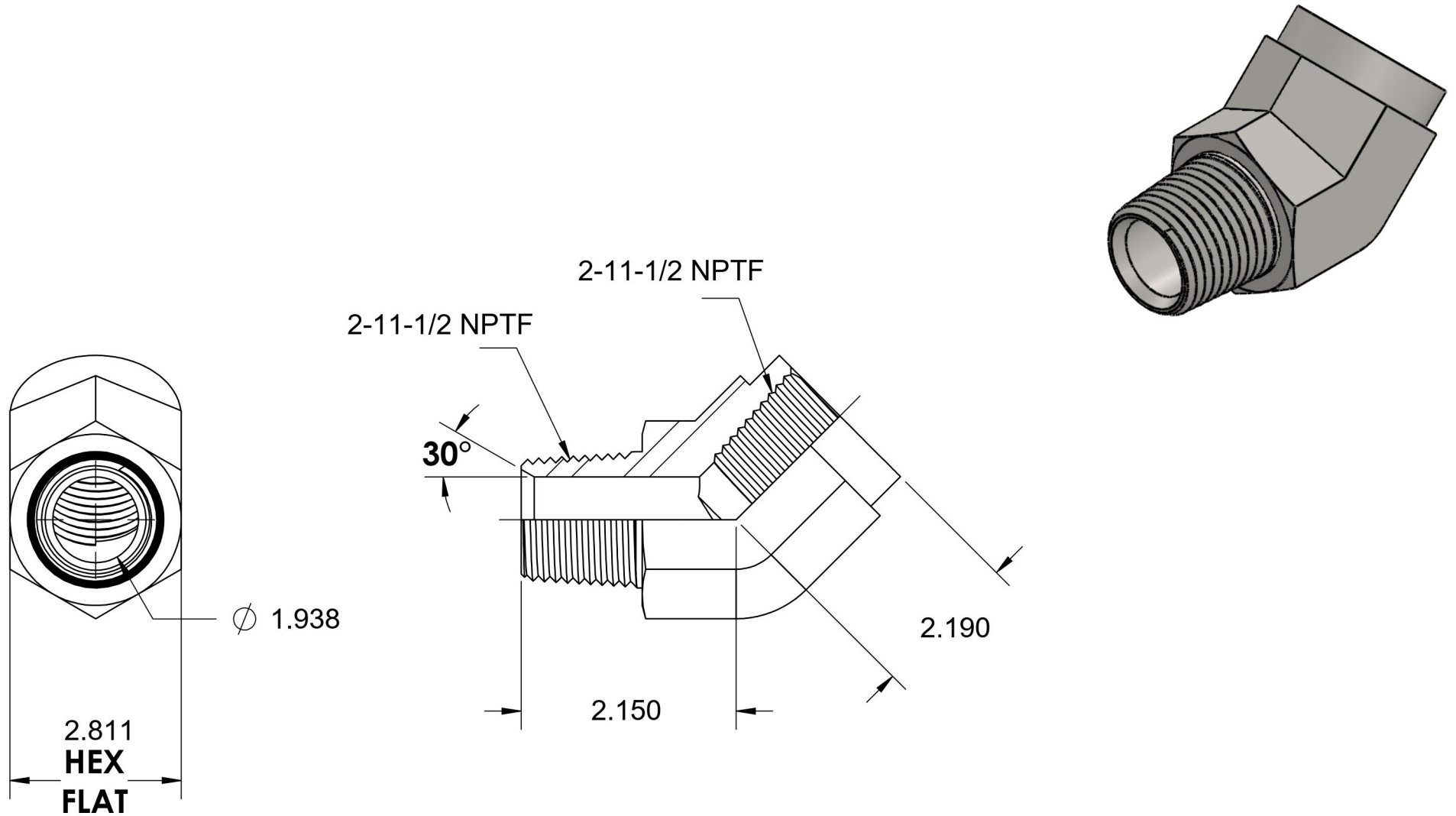


# 5503-32-32-SS

Stainless Steel, SAE J514 Pipe 45° Street Elbow, 2" Male NPTF 30° x 2" Female NPTF



6701 Cochran Road  
Solon, Ohio 44139  
Phone: (440) 248-1880  
Toll Free: 1-888-331-1523

<b>Temperature Rating</b> -425°F to 1200°F	<b>Material</b> 316/316L Stainless Steel	<b>Industry Standards</b> SAE J514, SAE J476	<b>Series</b> 5503-SS
<b>Pressure Rating</b> 1500 psi	<b>Finish</b> Passivated		<b>Series Description</b> SAE J514 Pipe 45° Street Elbow