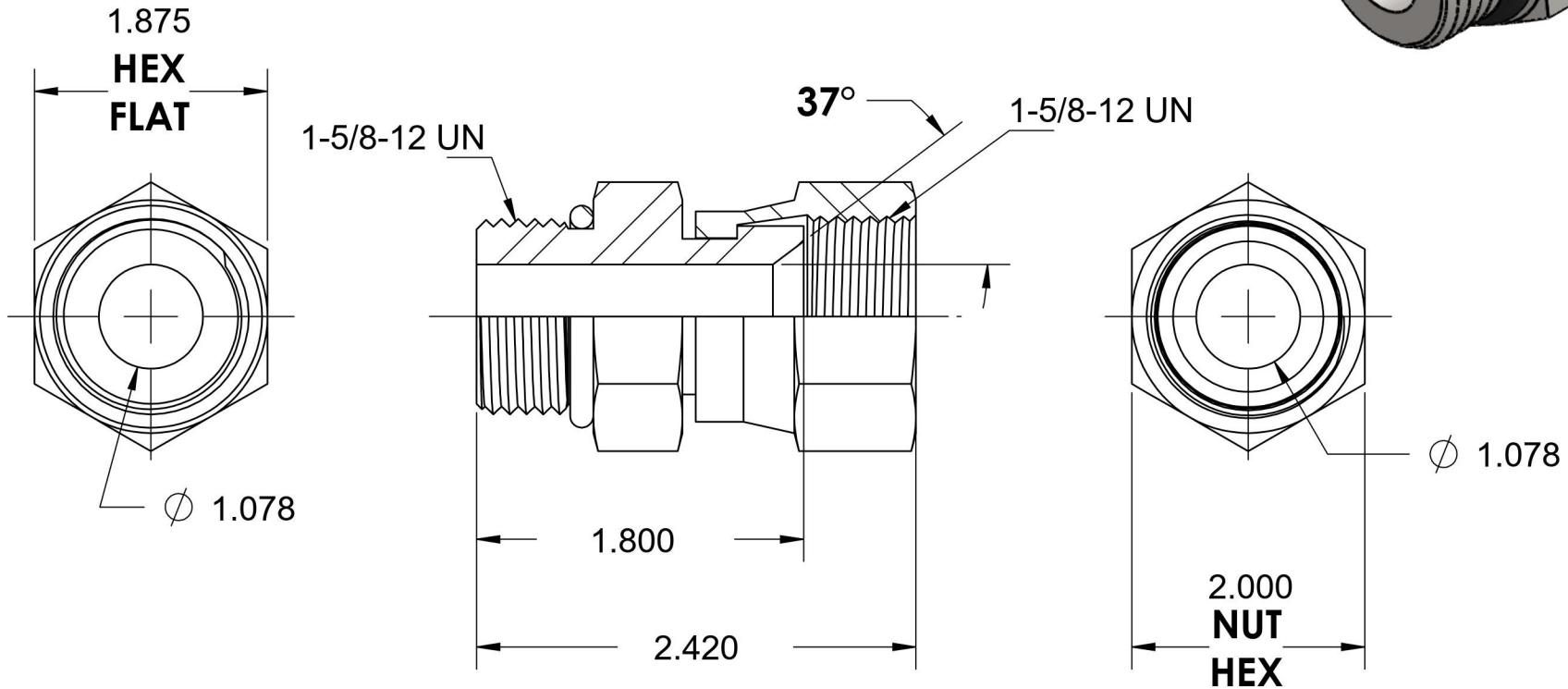


6402-20-20-O-SS

Stainless Steel, SAE J514 37° Flare Swivel Port Connector, 1-5/8-12 Male ORB x 1-1/4" Female JIC Swivel



6701 Cochran Road
Solon, Ohio 44139
Phone: (440) 248-1880
Toll Free: 1-888-331-1523

| | | | |
|---|---|--|---|
| Temperature Rating -40°F to 250°F | Material 316/316L Stainless Steel | Industry Standards SAE J514, SAE J1926-3 | Series 6402-O-SS |
| Pressure Rating 4000 psi | Finish Passivated | | Series Description SAE J514 37° Flare Swivel Port Connector |