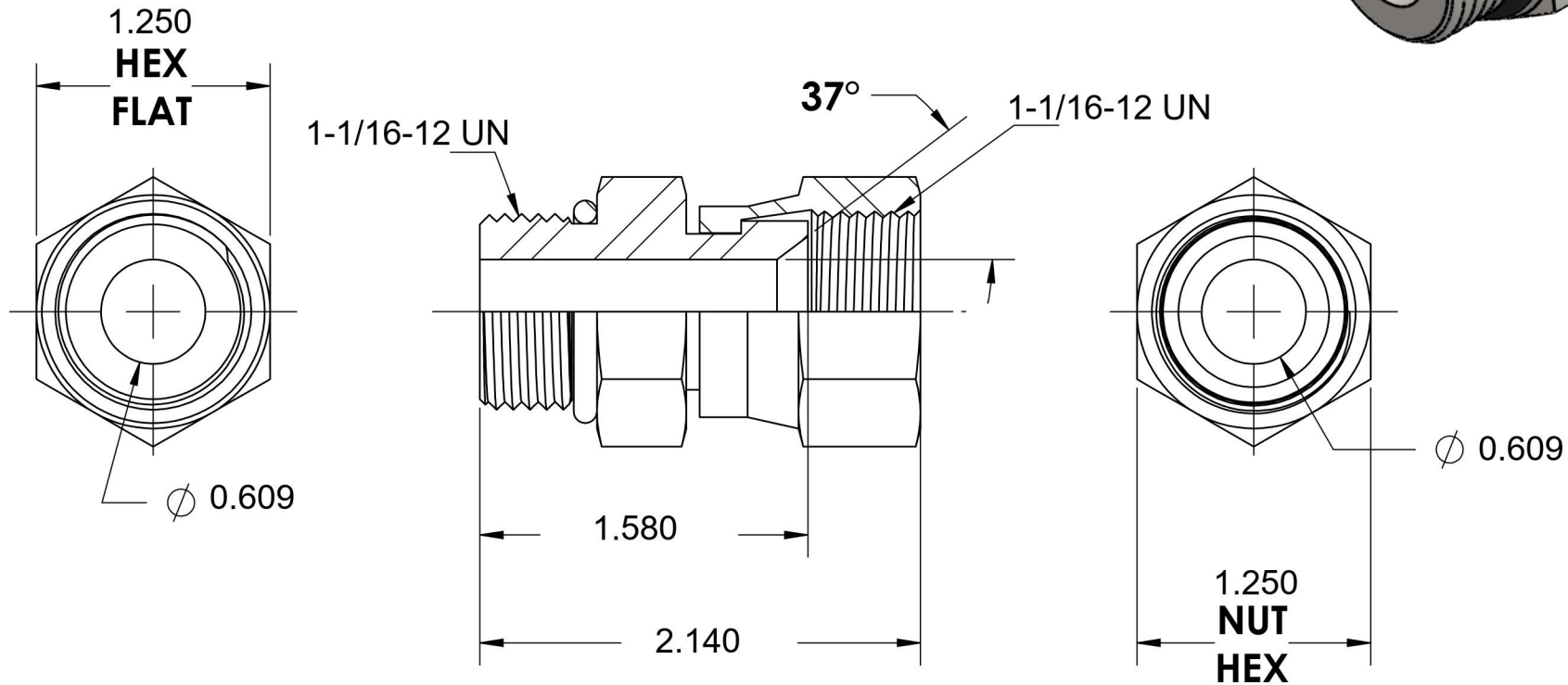


# 6402-12-12-O

Steel, SAE J514 37° Flare Swivel Port Connector, 1-1/16-12 Male ORB x 3/4" Female JIC Swivel



6701 Cochran Road  
Solon, Ohio 44139  
Phone: (440) 248-1880  
Toll Free: 1-888-331-1523

#### Temperature Rating

-40°F to 250°F

#### Pressure Rating

5000 psi

#### Material

C1045 / 12L14 Steel

#### Finish

Trivalent Zinc

#### Industry Standards

SAE J514, SAE J1926-3  
ASTM B633

#### Series

6402-O

#### Series Description

SAE J514 37° Flare Swivel  
Port Connector