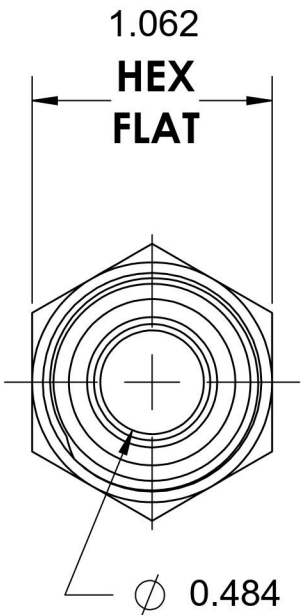
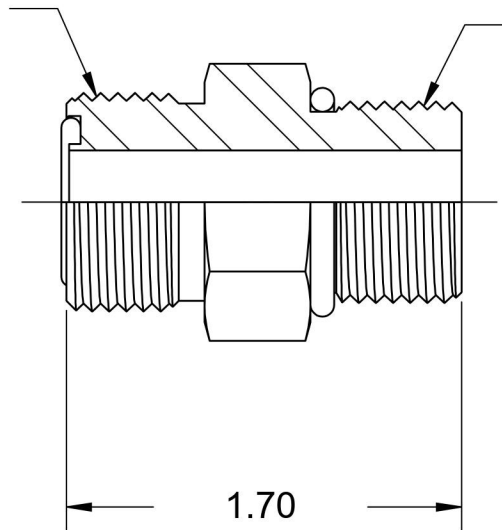


# FS6400-10-10-O-VITON

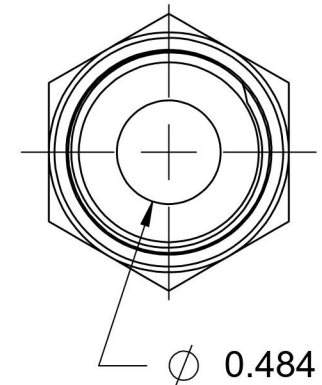
Steel, SAE J1453 O-Ring Face Seal Port Connector, 5/8" Male ORFS x 7/8-14 Male ORB, FKM Seal



1-14 UNS



7/8-14 UNF



6701 Cochran Road  
Solon, Ohio 44139  
Phone: (440) 248-1880  
Toll Free: 1-888-331-1523

<b>Temperature Rating</b>	<b>Material</b>	<b>Industry Standards</b> SAE J1453, SAE J1926-2 ASTM B633	<b>Series</b> FS6400-O-VITON
-15°F to 400°F	C1045 / 12L14 Steel		
<b>Pressure Rating</b>	<b>Finish</b>		<b>Series Description</b>
6000 psi	Trivalent Zinc		SAE J1453 O-Ring Face Seal Port Connector