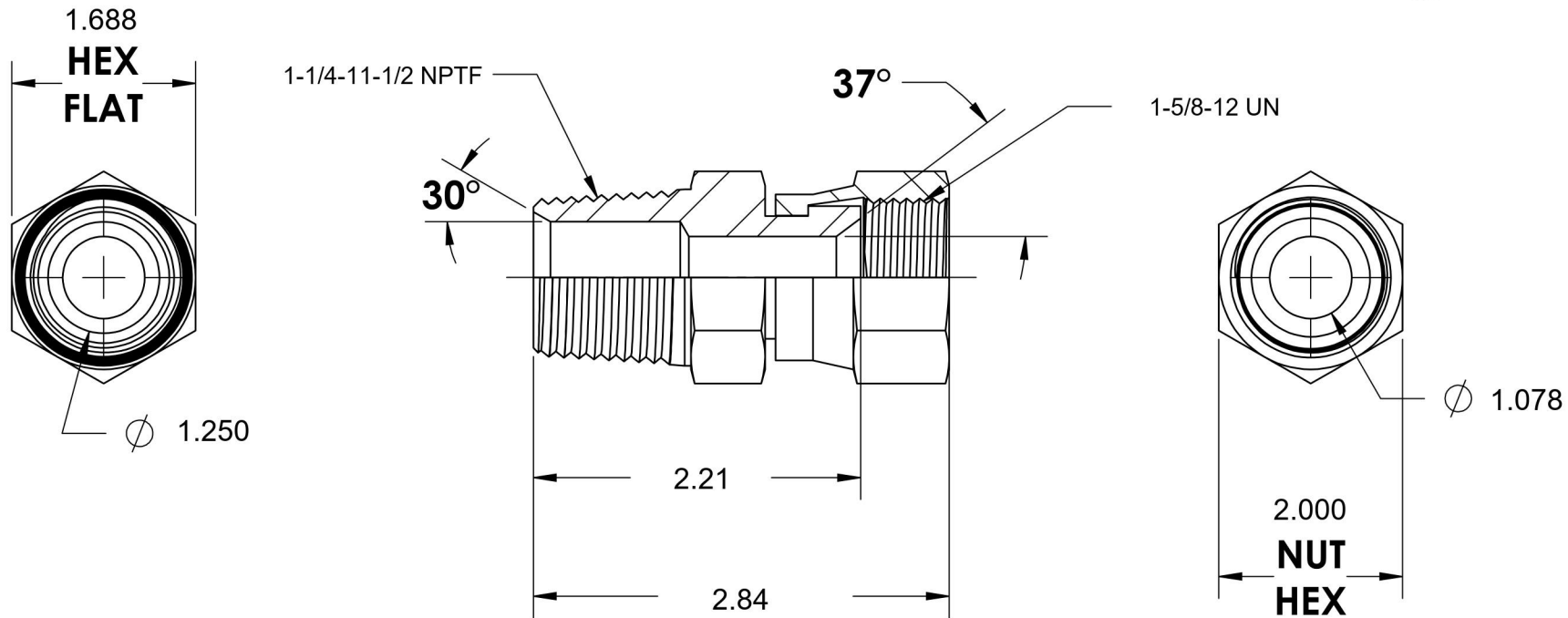


6505-20-20

Steel, SAE J514 37° Flare Swivel Male Connector, 1-1/4" Male NPTF 30° x 1-1/4" Female JIC Swivel



6701 Cochran Road
Solon, Ohio 44139
Phone: (440) 248-1880
Toll Free: 1-888-331-1523

| | | | |
|---------------------------|-------------------|----------------------------------|---|
| Temperature Rating | Material | Industry Standards | Series |
| -65°F to 500°F | C1045/12L14 Steel | SAE J514 , SAE J476 ASTM B633 | 6505 |
| Pressure Rating | Finish | | Series Description |
| 3000 psi | Trivalent Zinc | | SAE J514 37° Flare Swivel Male Connector |