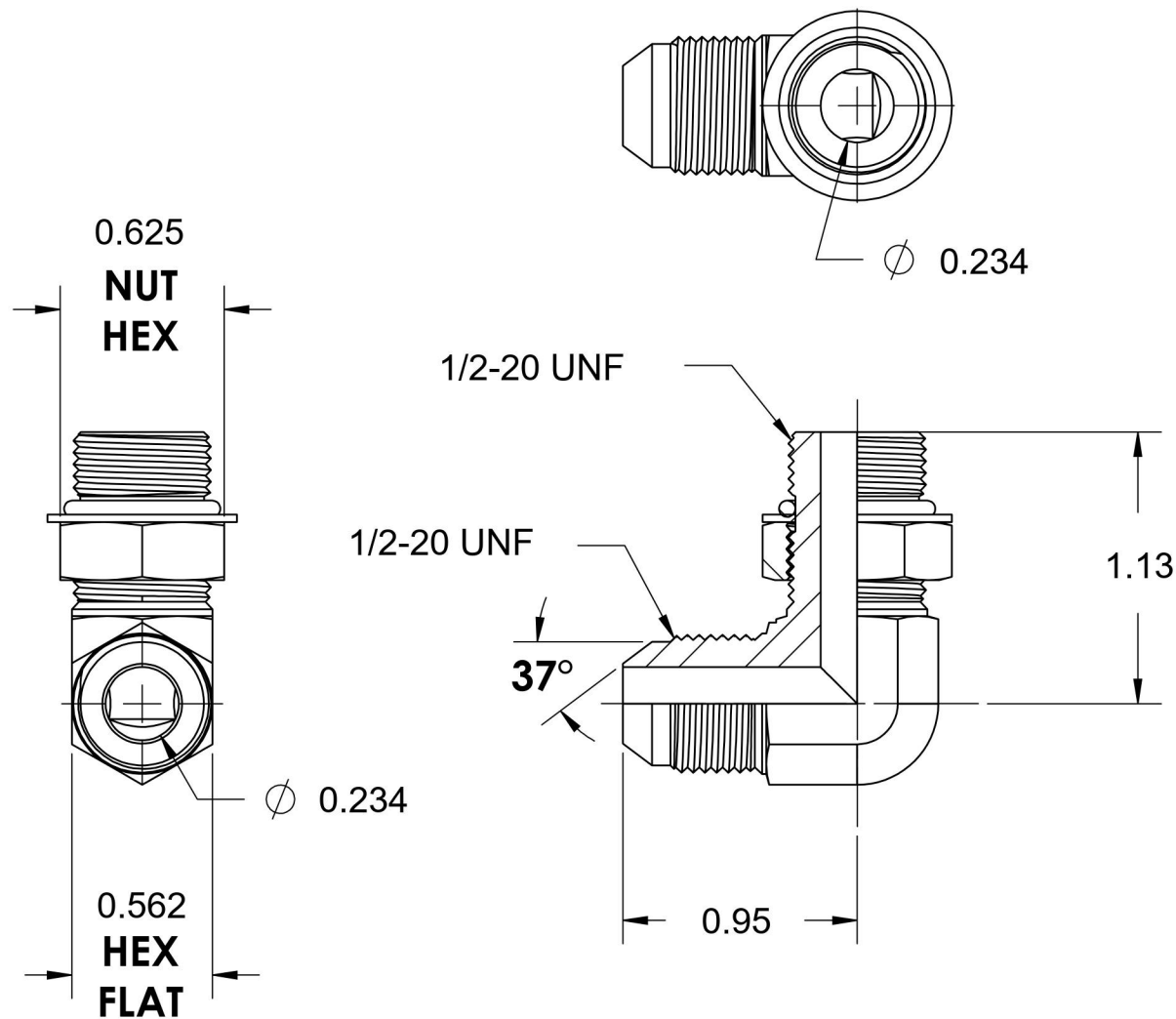


# 6801-05-05-NWO-SS

Stainless Steel, SAE J514 37° Flare 90° Adjustable Port Elbow, 5/16" Male JIC x 1/2-20 Male Adjustable ORB



6701 Cochran Road  
Solon, Ohio 44139  
Phone: (440) 248-1880  
Toll Free: 1-888-331-1523

**Temperature Rating**

-40°F / 250°F

**Pressure Rating**

5400 psi

**Material**

316/316L Stainless Steel

**Finish**

Passivated

**Industry Standards**

SAE J514, SAE J1926-3

**Series**

6801-NWO-SS

**Series Description**

SAE J514 37° Flare 90°  
Adjustable Port Elbow