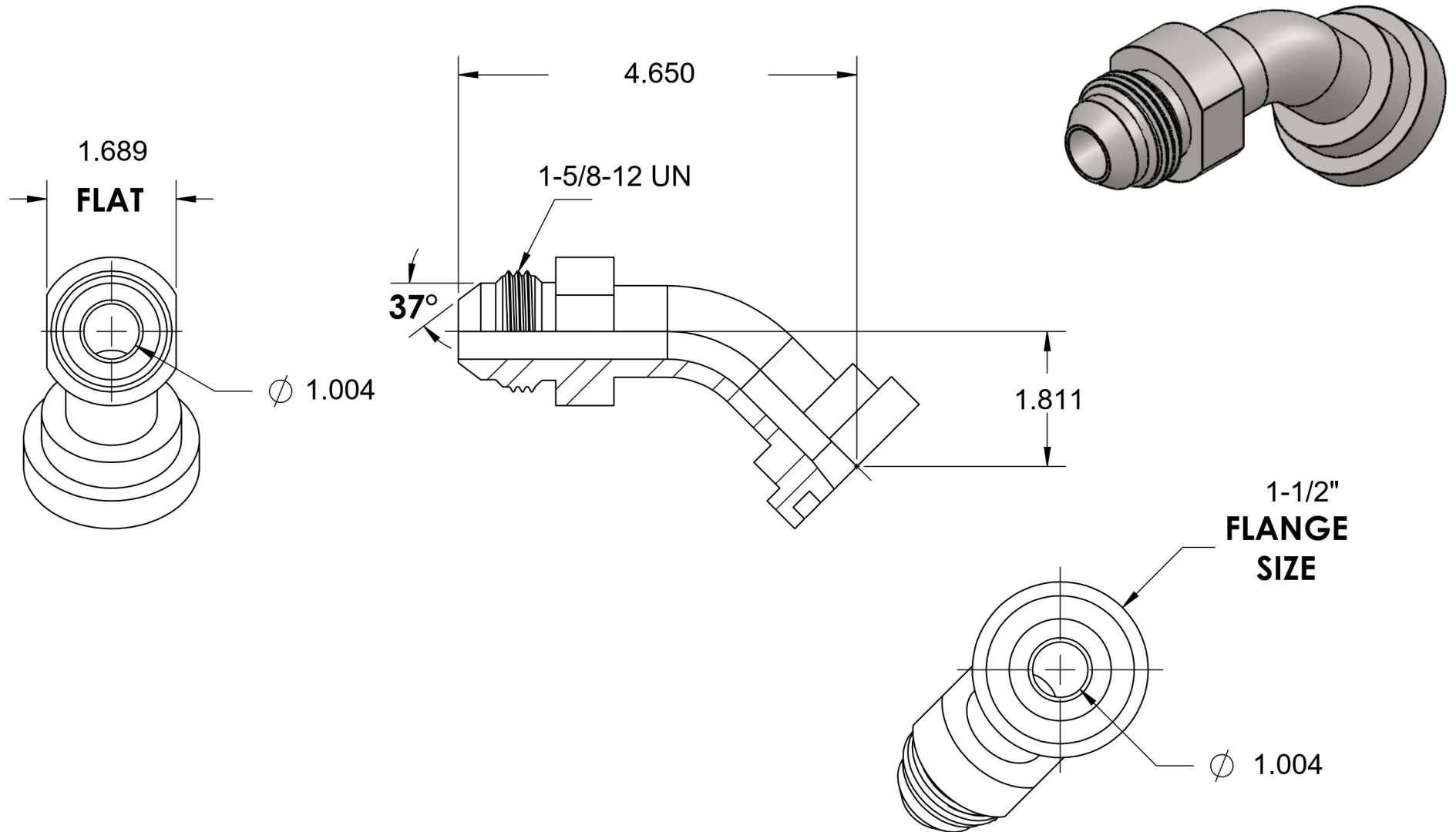


# 1803-20-24

Steel, SAE J514 37° Flare Code 62 Flange 45° Swept Elbow, 2" Male JIC x 1-1/2" Split Flange Head



6701 Cochran Road  
Solon, Ohio 44139  
Phone: (440) 248-1880  
Toll Free: 1-888-331-1523

#### Temperature Rating

-65°F to 500°F

#### Pressure Rating

3000psi

#### Material

S20C Steel

#### Finish

Trivalent Zinc

#### Industry Standards

SAE J518 Code 62, SAE J514  
ASTM B633

#### Series

1803

#### Series Description

SAE J514 37° Flare Code 62  
Flange 45° Swept Elbow