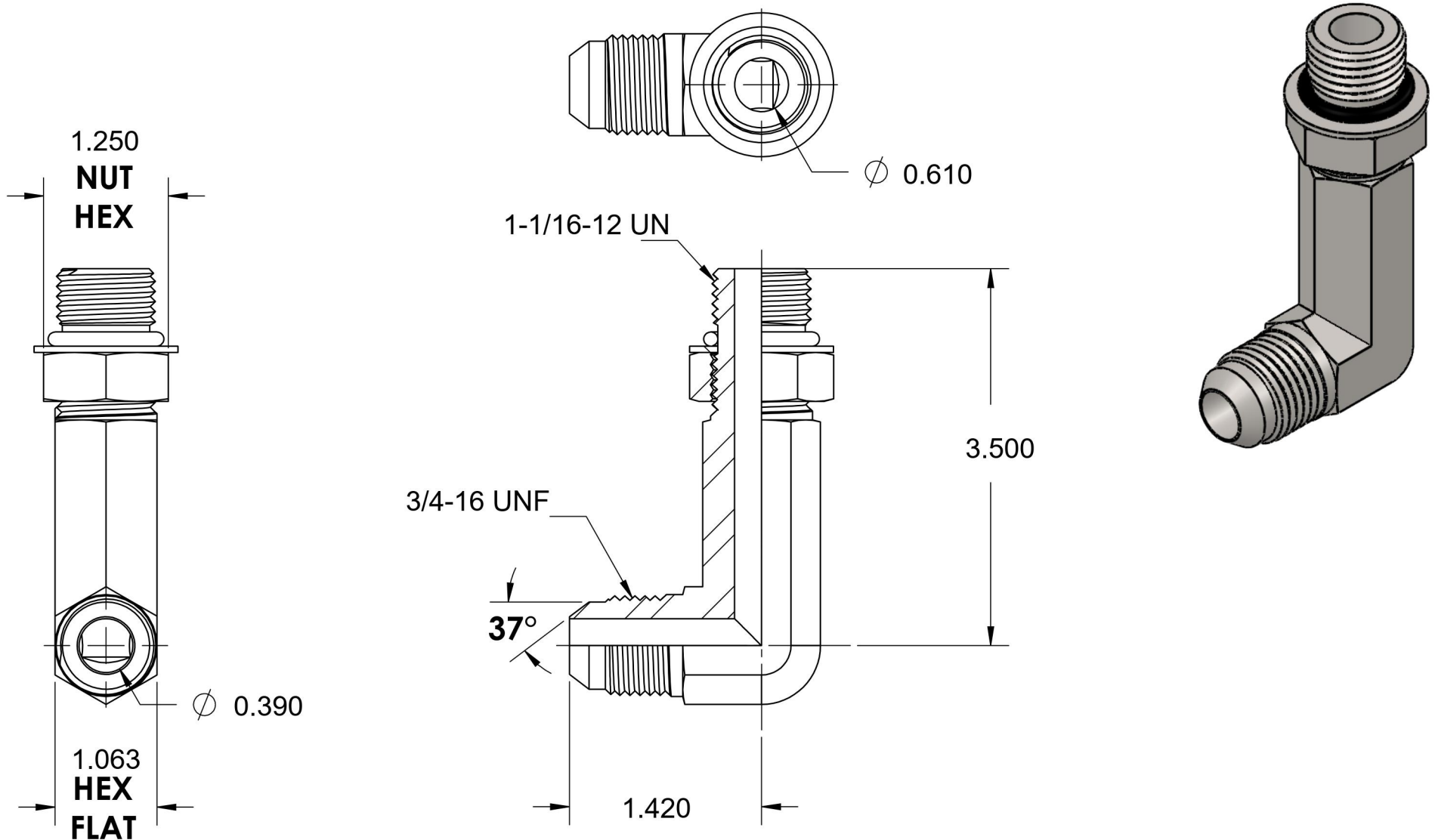


6801-LL-08-12-NWO-FG

Steel, SAE J514 37° Flare 90° Extra Long Adjustable Port Elbow, 1/2" Male JIC x 1-1/16-12 Male Adjustable ORB



6701 Cochran Road
Solon, Ohio 44139
Phone: (440) 248-1880
Toll Free: 1-888-331-1523

Temperature Rating

-40°F to 250°F

Pressure Rating

5000 psi

Material

C1045 Steel

Finish

Trivalent Zinc

Industry Standards

SAE J1453, SAE J1926-3
SAE J515, ASTM B633

Series

6801-LL-NWO-FG

Series Description

SAE J514 37° Flare 90° Extra Long Adjustable Port Elbow