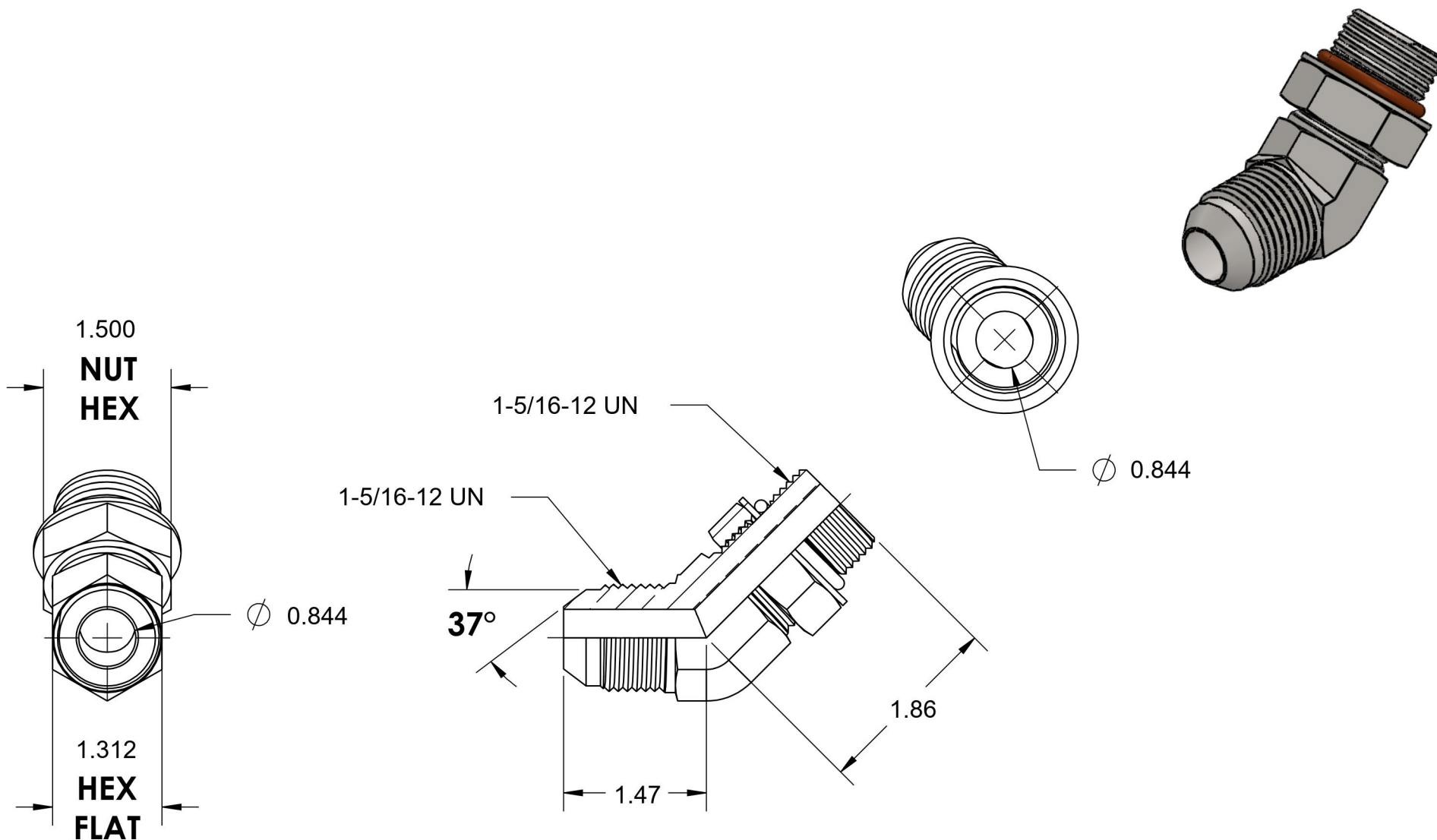


# 6802-16-16-NWO-FG-VITON

Steel, SAE J514 37° Flare 45° Adjustable Port Elbow, 1" Male JIC x 1-5/16-12 Male Adjustable ORB, FKM Seal



6701 Cochran Road  
Solon, Ohio 44139  
Phone: (440) 248-1880  
Toll Free: 1-888-331-1523

<b>Temperature Rating</b>	<b>Material</b>	<b>Industry Standards</b>	<b>Series</b>
-15°F to 400°F	C1045 Steel	SAE J514, SAE J1926-3	6802-NWO-FG-VITON
<b>Pressure Rating</b>	<b>Finish</b>	SAE J515, ASTM B633	
4000 psi	Trivalent Zinc		<b>Series Description</b> SAE J514 37° Flare 45° Adjustable Port Elbow