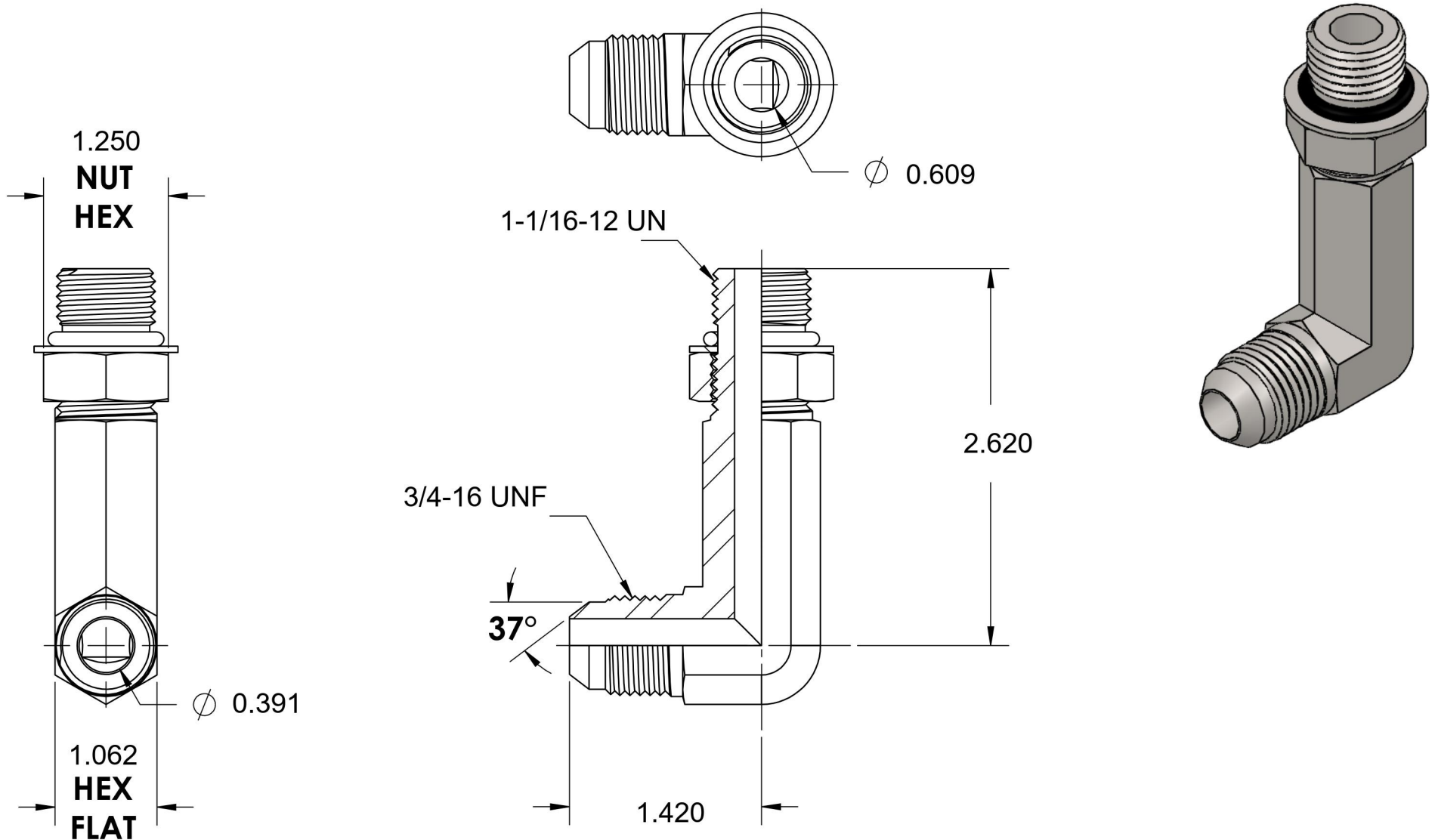


# 6801-L-08-12-NWO-SS

Stainless Steel, SAE J514 37° Flare 90° Long Adjustable Port Elbow, 1/2" Male JIC x 1-1/16-12 Male Adjustable ORB



6701 Cochran Road  
Solon, Ohio 44139  
Phone: (440) 248-1880  
Toll Free: 1-888-331-1523

<b>Temperature Rating</b>	<b>Material</b>	<b>Industry Standards</b>	<b>Series</b>
-40°F to 250°F	316/316L Stainless	SAE J514, SAE J1926-3	6801-L-NWO-FG
<b>Pressure Rating</b>	<b>Finish</b>		<b>Series Description</b>
5000psi	Passivation		SAE J514 37° Flare 90° Long Adjustable Port Elbow