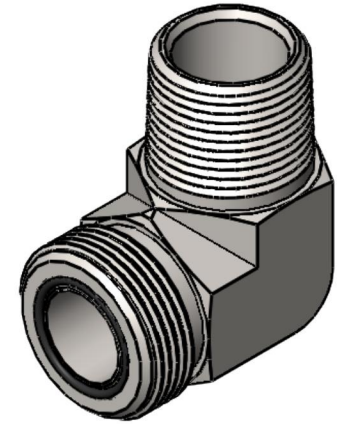
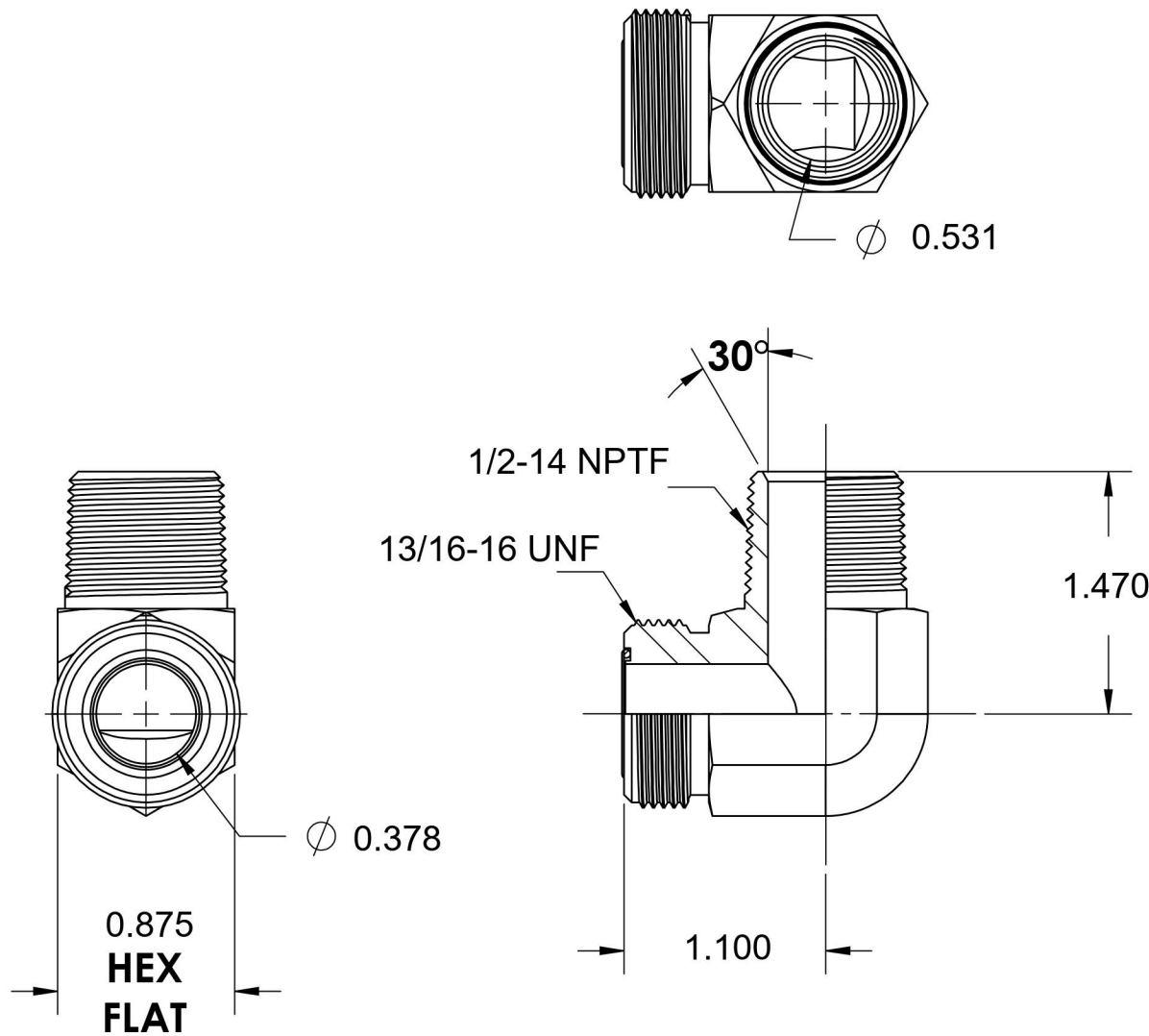


FS2501-08-08-SS

Stainless Steel, SAE J1453 O-Ring Face Seal 90° Male Elbow, 1/2" Male ORFS x 1/2" Male NPTF 30°



6701 Cochran Road
Solon, Ohio 44139
Phone: (440) 248-1880
Toll Free: 1-888-331-1523

| | | | |
|---------------------------|--------------------------|---------------------------------|--|
| Temperature Rating | Material | Industry Standards | Series |
| -40°F to 250°F | 316/316L Stainless Steel | SAE J1453, SAE J476 SAE J515 | FS2501-SS |
| Pressure Rating | Finish | | Series Description |
| 6000 psi | Passivated | | SAE J1453 O-Ring Face Seal 90° Male Elbow |