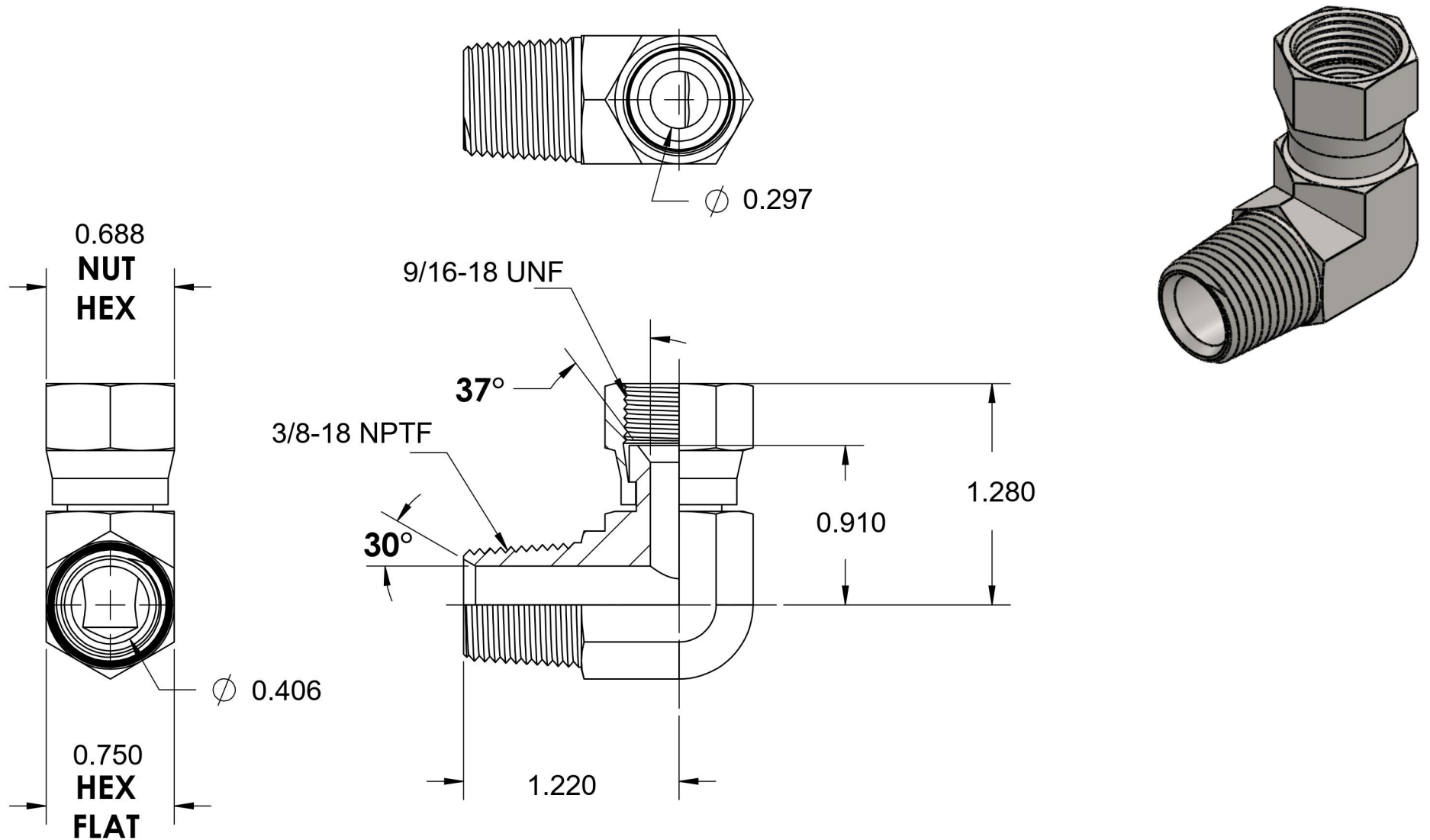


6501-06-06-FG

Steel, SAE J514 37° Flare Swivel 90° Male Elbow, 3/8" Male NPTF 30° x 3/8" Female JIC Swivel



6701 Cochran Road
Solon, Ohio 44139
Phone: (440) 248-1880
Toll Free: 1-888-331-1523

| | | | |
|---------------------------|-----------------|---------------------------------|---|
| Temperature Rating | Material | Industry Standards | Series |
| -65°F to 500°F | C1045 Steel | SAE J514, SAE J476 ASTM B633 | 6501-FG |
| Pressure Rating | Finish | | Series Description |
| 6000 psi | Trivalent Zinc | | SAE J514 37° Flare Swivel 90° Male Elbow |