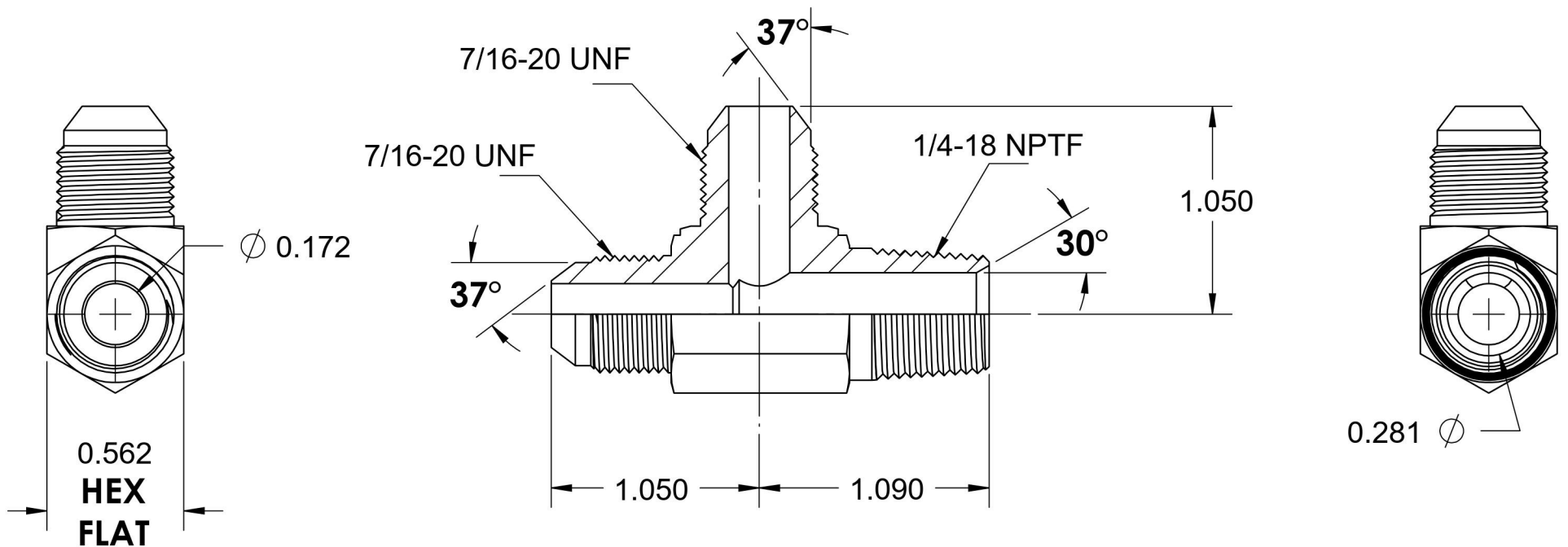
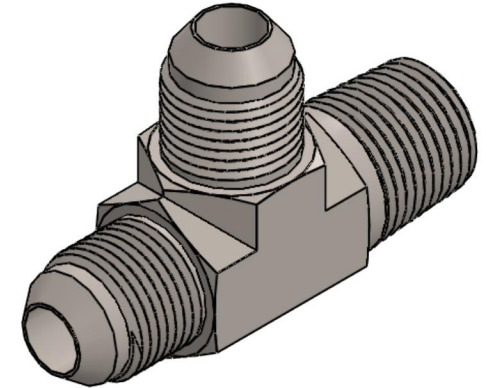
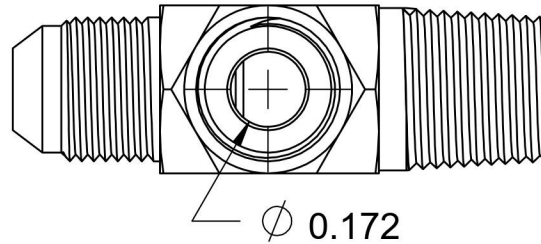


2605-04-04-04-SS

Stainless Steel, SAE J514 37° Flare Male Run Tee, 1/4" Male JIC x 1/4" Male NPTF 30° x 1/4" Male JIC



0.281 \varnothing



6701 Cochran Road
Solon, Ohio 44139
Phone: (440) 248-1880
Toll Free: 1-888-331-1523

Temperature Rating

-425°F to 1200°F

Pressure Rating

6000 psi

Material

316/316L Stainless Steel

Finish

Passivated

Industry Standards

SAE J514 , SAE J476

Series

2605-SS

Series Description

SAE J514 37° Flare Male Run Tee