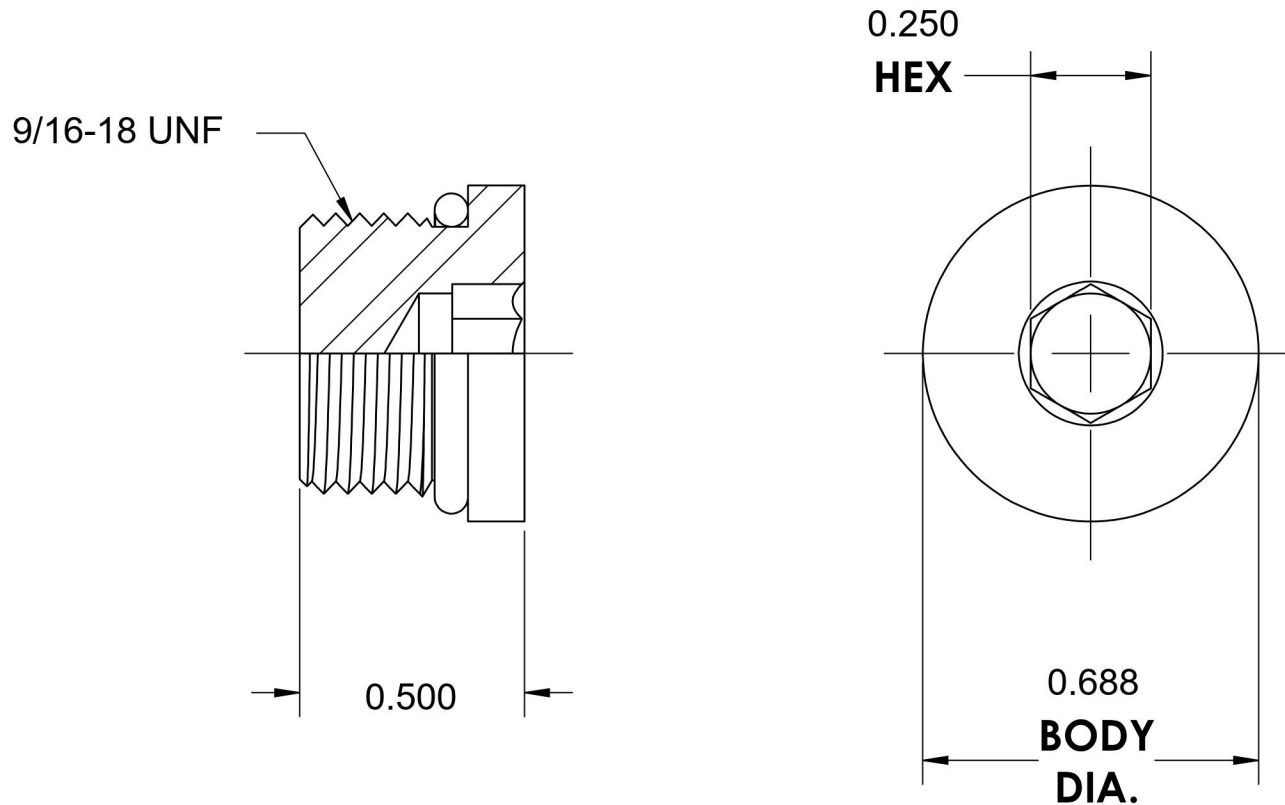
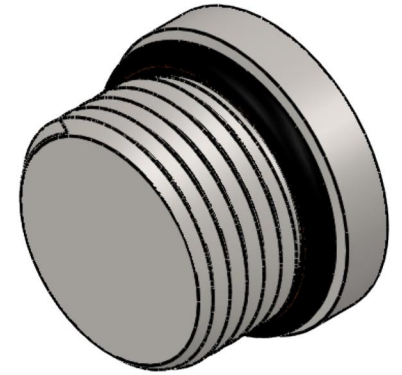


6408-H06-O

Steel, SAE J1926 O-Ring Boss Hollow Hex Plug, 9/16-18 Male ORB



6701 Cochran Road
Solon, Ohio 44139
Phone: (440) 248-1880
Toll Free: 1-888-331-1523

Temperature Rating -40°F to 250°F	Material C1045 / 12L14 Steel	Industry Standards SAE J1926-3, SAE J515 ASTM B633	Series 6408-H-O
Pressure Rating 6000 psi	Finish Trivalent Zinc		Series Description SAE J1926 O-Ring Boss Hollow Hex Plug