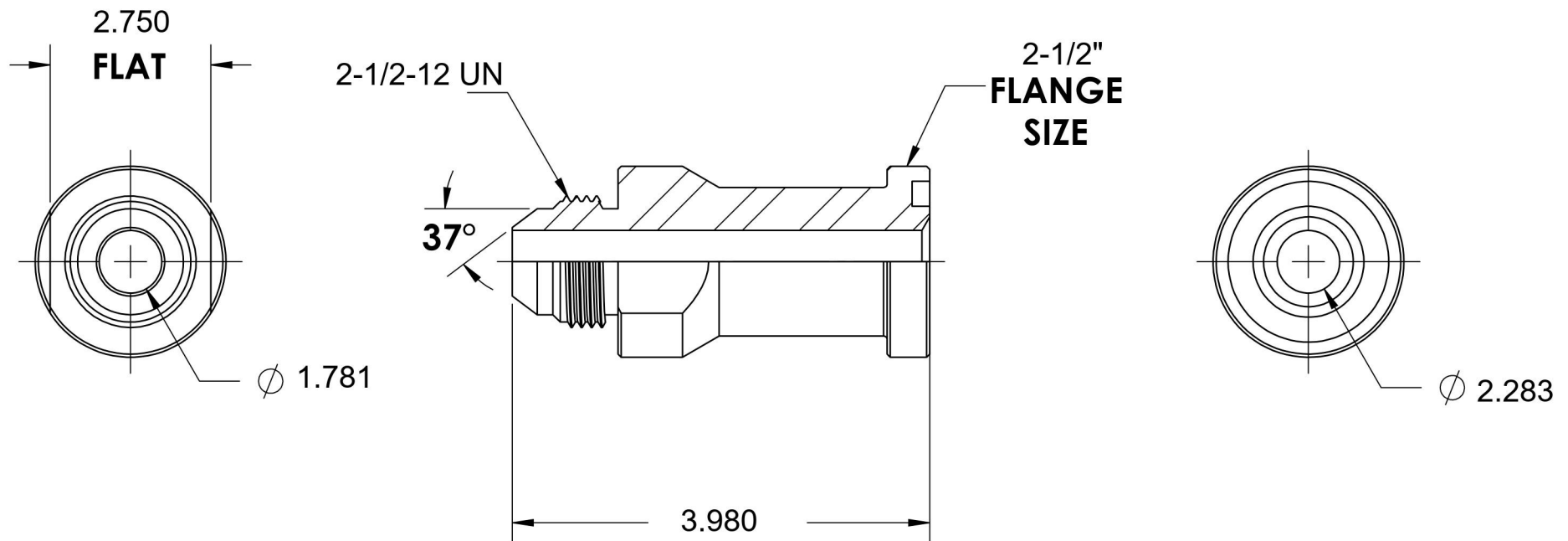


# 1700-32-40-SS

Stainless Steel, SAE J514 37° Flare Code 61 Flange Adapter, 2" Male JIC x 2-1/2" Split Flange Head



6701 Cochran Road  
Solon, Ohio 44139  
Phone: (440) 248-1880  
Toll Free: 1-888-331-1523

|                           |                          |                              |  |
|---------------------------|--------------------------|------------------------------|--|
| <b>Temperature Rating</b> | <b>Material</b>          | <b>Industry Standards</b>    | <b>Series</b>                                |
| -425°F to 1200°F          | 316/316L Stainless Steel | SAE J518 Code 61<br>SAE J514 | 1700-SS                                      |
| <b>Pressure Rating</b>    | <b>Finish</b>            |                              | <b>Series Description</b>                    |
| 2000 psi                  | Passivation              |                              | SAE J514 37° Flare Code 61<br>Flange Adapter |