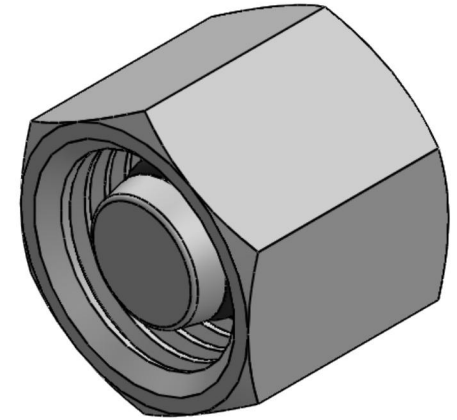
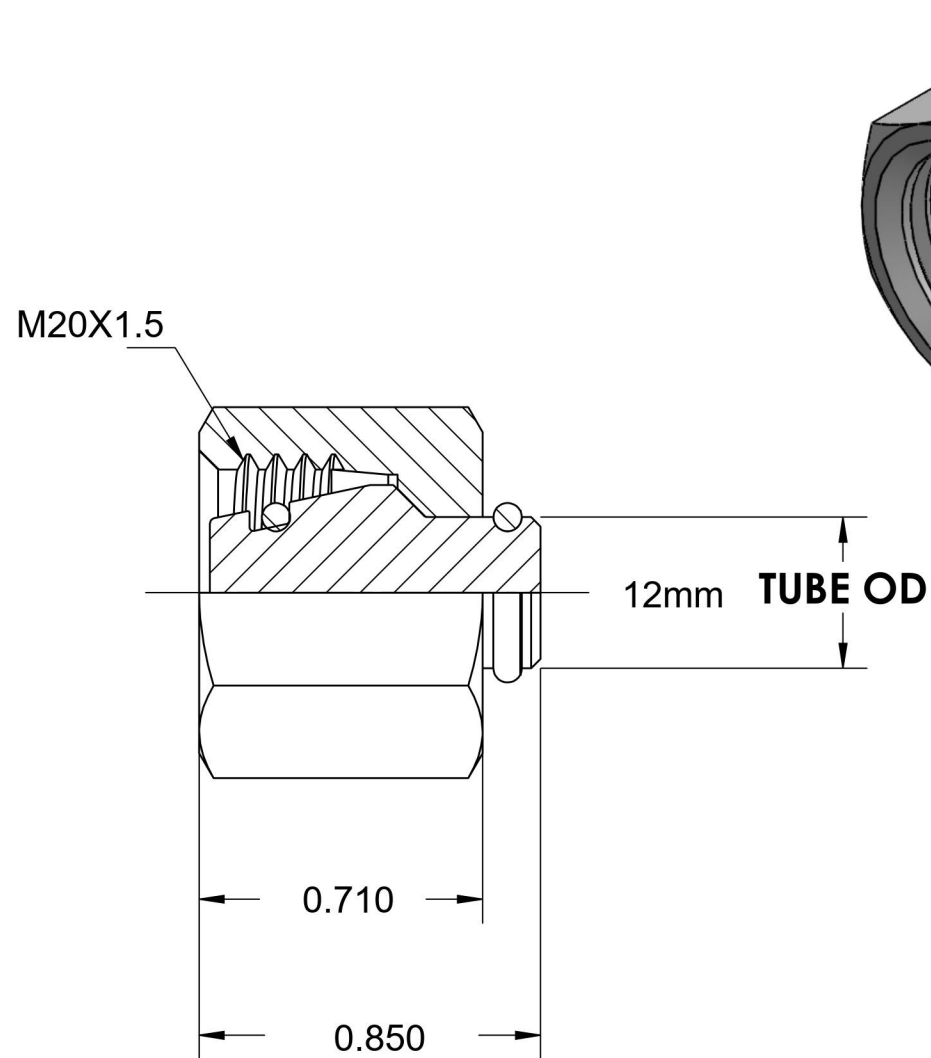
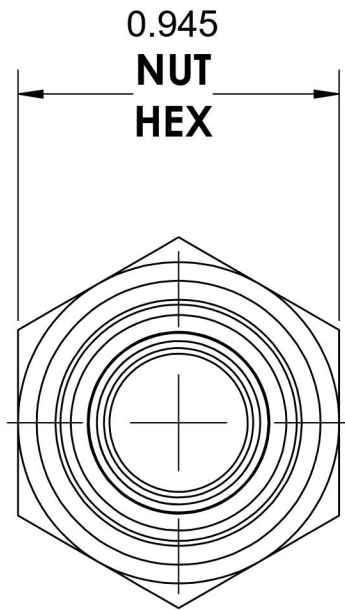


D0304-C-S12

Steel, DIN 2353 Blanking Plug, Heavy 12mm Tube OD



6701 Cochran Road
Solon, Ohio 44139
Phone: (440) 248-1880
Toll Free: 1-888-331-1523

Temperature Rating -40°F to 250°F	Material C22 Steel	Industry Standards DIN 2353, ISO 8434-1	Series D0304-C
Pressure Rating Not Available	Finish Zinc Nickel		Series Description DIN 2353 Flareless Tube Blanking Cap Assembly