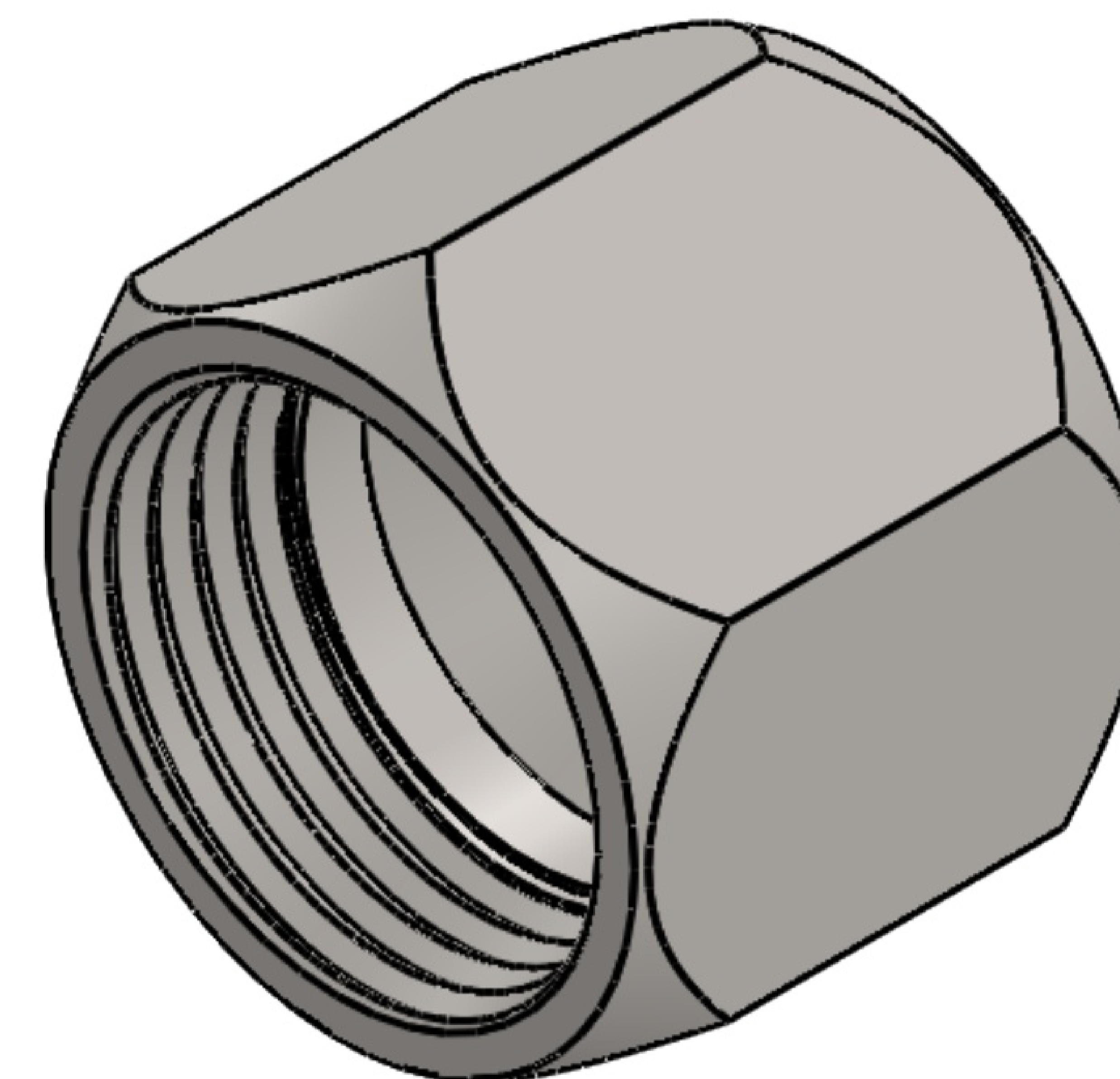
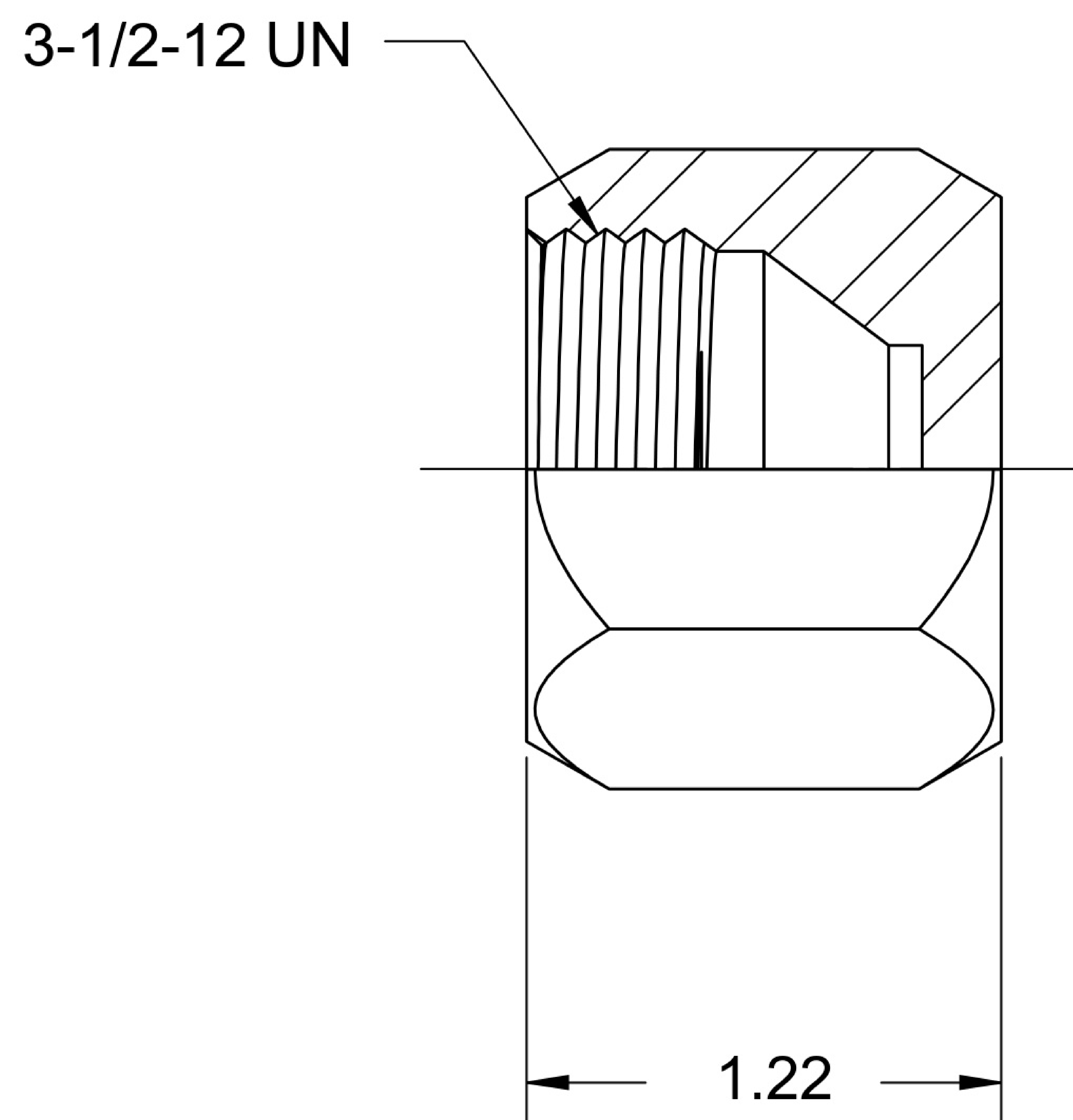
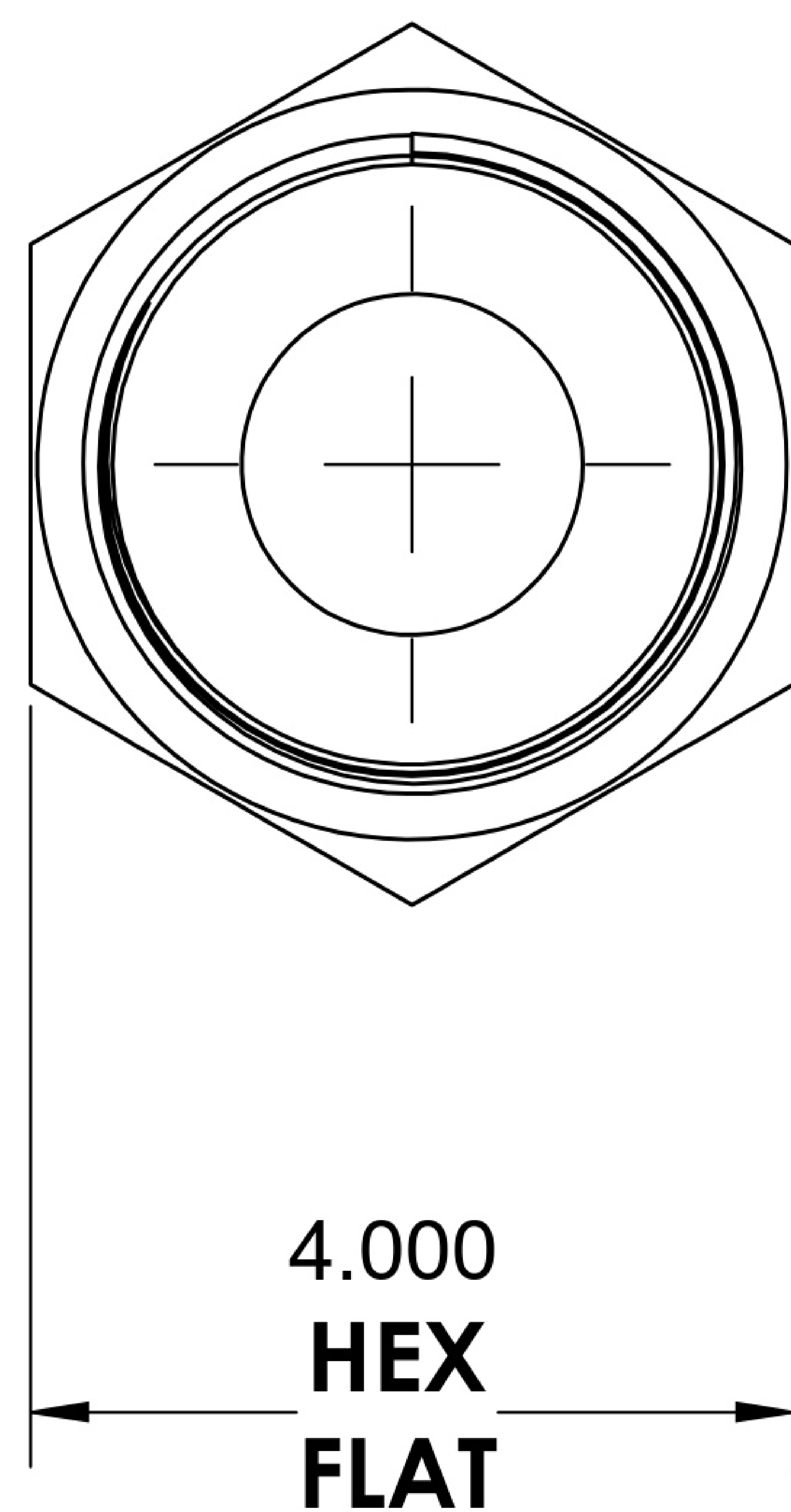


0304-C-48

Steel, SAE J514 37° Flare Tube Cap, 3" Female JIC



6701 Cochran Road
Solon, Ohio 44139
Phone: (440) 248-1880
Toll Free: 1-888-331-1523

Temperature Rating

-65°F to 500°F

Pressure Rating

600 psi

Material

C1045 Steel

Finish

Trivalent Zinc

Industry Standards

SAE J514, ASTM B633

Series

0304-C

Series Description

SAE J514 37° Flare Tube Cap