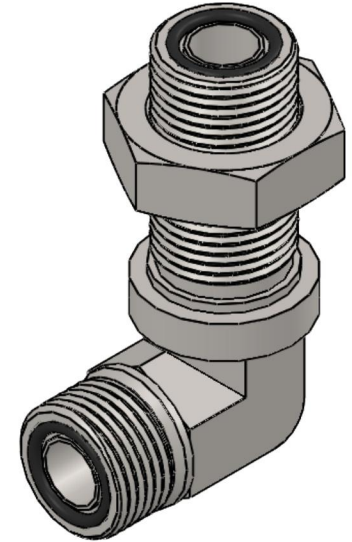
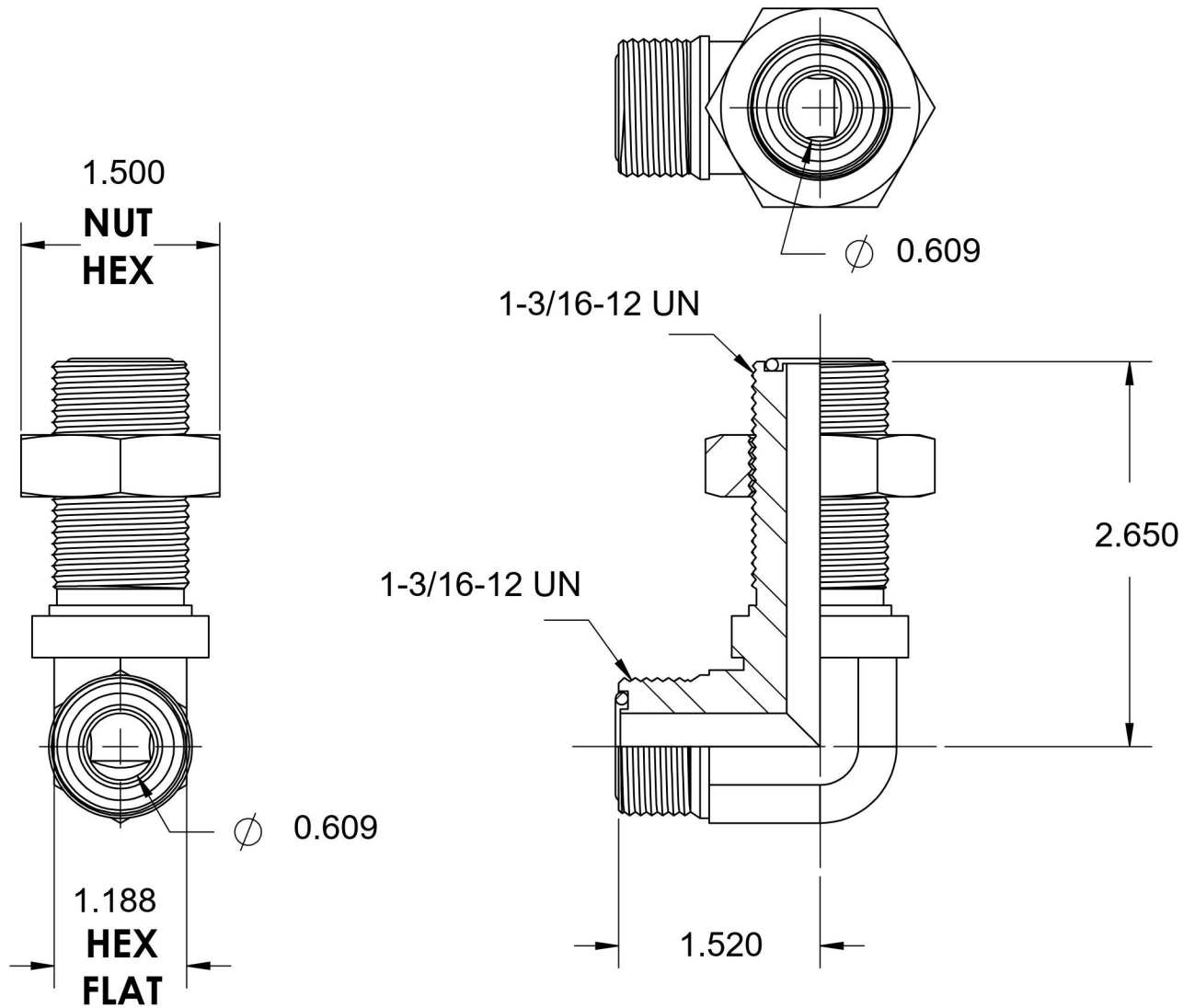


# FS2701-LN-12-12-SS

Stainless Steel, SAE J1453 O-Ring Face Seal Bulkhead 90° Elbow With Lock Nut, 3/4" Male ORFS x 3/4" Male ORFS



6701 Cochran Road  
Solon, Ohio 44139  
Phone: (440) 248-1880  
Toll Free: 1-888-331-1523

Temperature Rating	Material	Industry Standards	Series
-40°F to 250°F	316/316L Stainless	SAE J1453	FS2701-LN-FG
Pressure Rating	Finish		Series Description
6000psi	Passivation		SAE J1453 O-Ring Face Seal Bulkhead 90° Elbow With Lock Nut