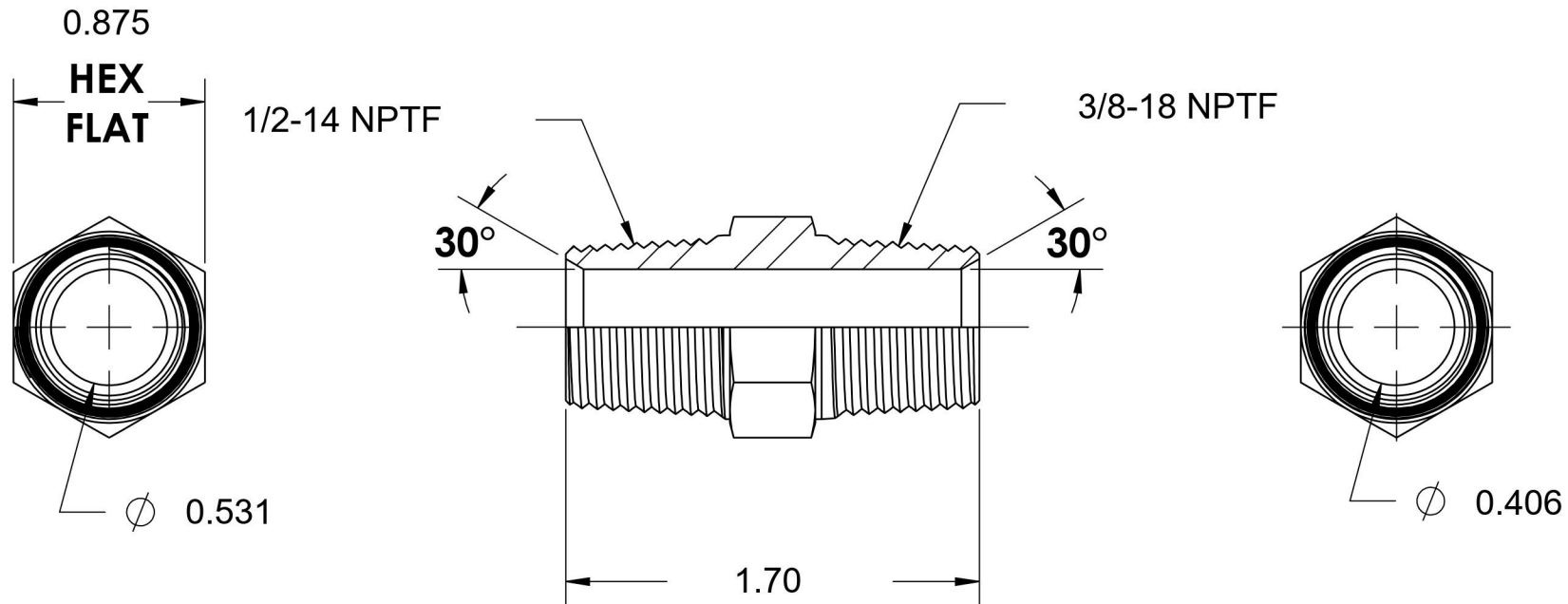


# 5404-08-06-SS

Stainless Steel, SAE J514 Pipe Nipple, 1/2" Male NPTF 30° x 3/8" Male NPTF 30°



6701 Cochran Road  
Solon, Ohio 44139  
Phone: (440) 248-1880  
Toll Free: 1-888-331-1523

|   |   |  |   |
|---|---|--|---|
| <b>Temperature Rating</b><br>-425°F to 1200°F | <b>Material</b><br>316/316L Stainless Steel | <b>Industry Standards</b><br>SAE J514 , SAE J476 | <b>Series</b><br>5404-SS                          |
| <b>Pressure Rating</b><br>7200 psi            | <b>Finish</b><br>Passivated                 |  | <b>Series Description</b><br>SAE J514 Pipe Nipple |