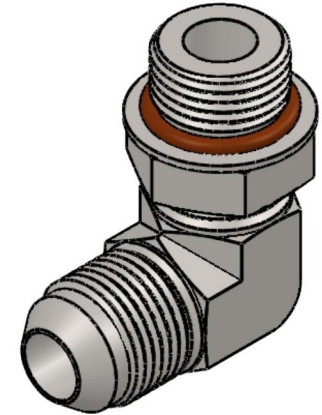
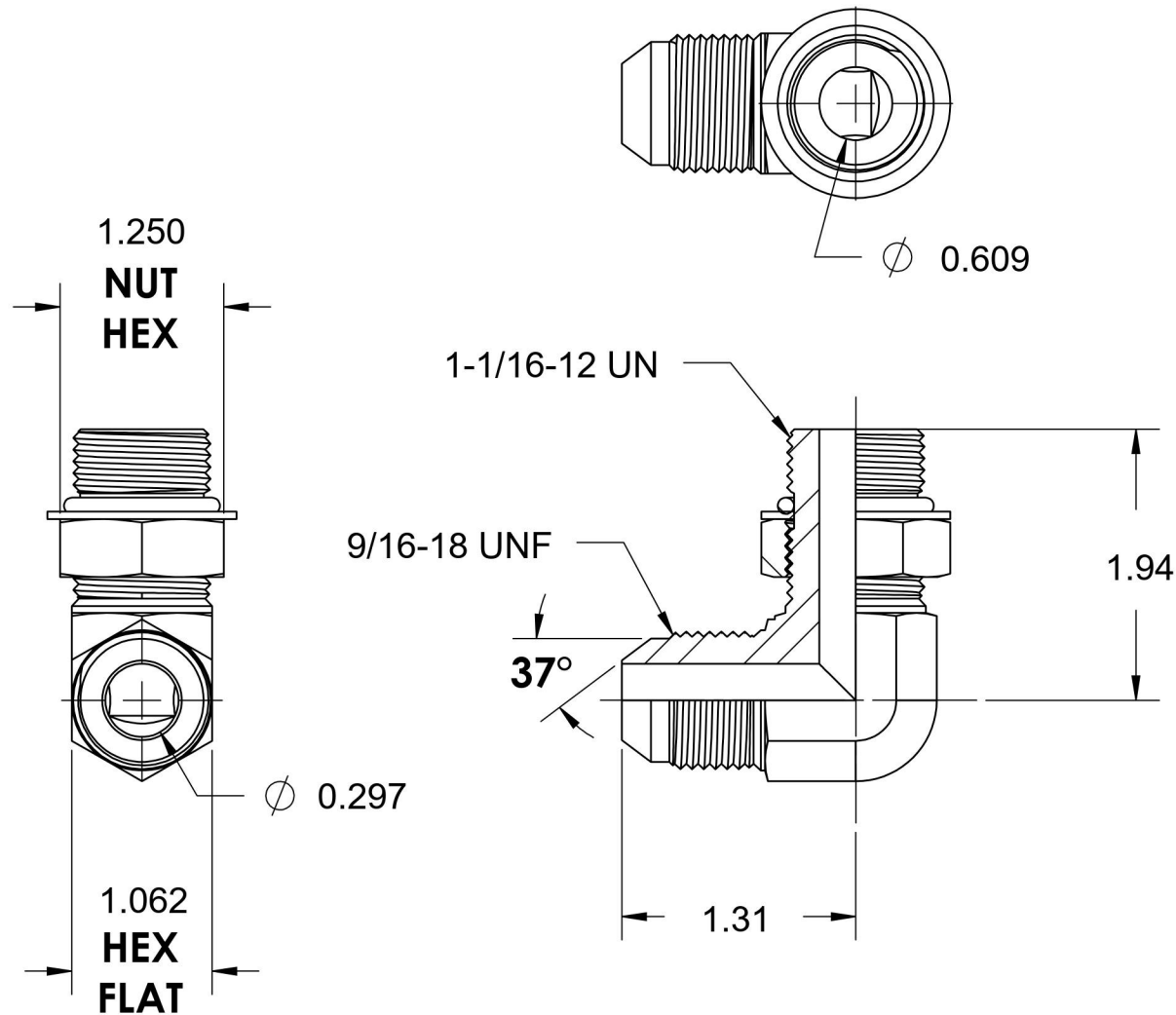


# 6801-06-12-NWO-FG-VITON

Steel, SAE J514 37° Flare 90° Adjustable Port Elbow, 3/8" Male JIC x 1-1/16-12 Male Adjustable ORB, FKM Seal



6701 Cochran Road  
Solon, Ohio 44139  
Phone: (440) 248-1880  
Toll Free: 1-888-331-1523

**Temperature Rating**

-15°F / 400°F

**Material**

C1045 Steel

**Industry Standards**

SAE J514, SAE J1926-3  
ASTM B633

**Series**

6801-NWO-FG-VITON

**Pressure Rating**

5000 psi

**Finish**

Trivalent Zinc

**Series Description**

SAE J514 37° Flare 90°  
Adjustable Port Elbow