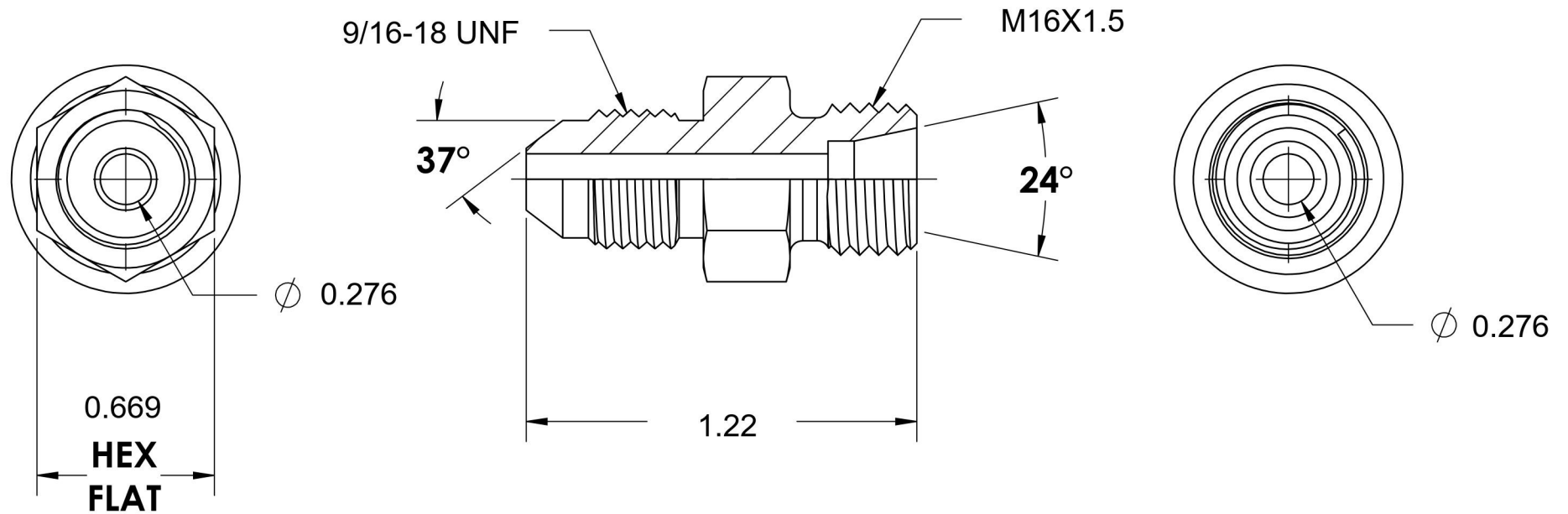


7005-06-L10-16

Steel, SAE J514 37° Flare DIN 2353 (Light) Tube Adapter Body Only, 3/8" Male JIC x M16X1.5 Male DIN



6701 Cochran Road
Solon, Ohio 44139
Phone: (440) 248-1880
Toll Free: 1-888-331-1523

| | | | |
|---------------------------|---------------------|---------------------------|--|
| Temperature Rating | Material | Industry Standards | Series |
| -65°F to 500°F | C1045 / 12L14 Steel | SAE J514, ISO 8434-1 | 7005-DIN LIGHT |
| Pressure Rating | Finish | DIN 2353, ASTM B633 | Series Description |
| 5800 psi | Trivalent Zinc | | SAE J514 37° Flare DIN 2353 (Light) Tube Adapter Body Only |