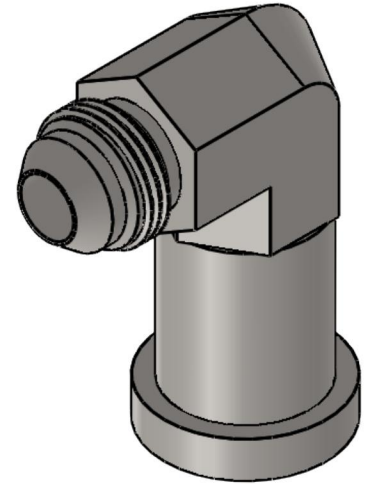
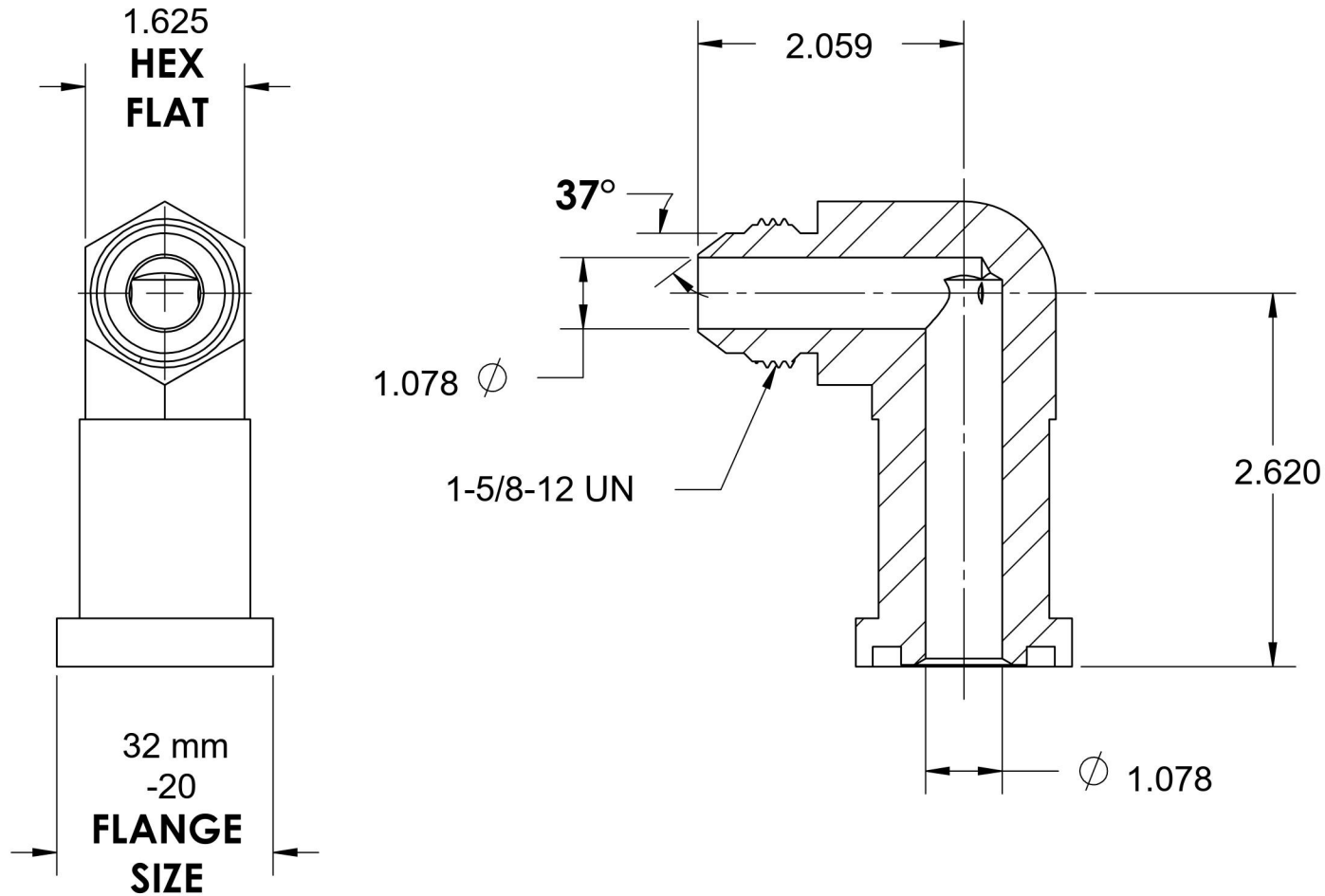


# 1704-20-20-FG

Steel, SAE J514 37° Flare 90° Code 61 Flange Forged Elbow, 1-1/4" Male JIC x 1-1/4" Split Flange Head



6701 Cochran Road  
Solon, Ohio 44139  
Phone: (440) 248-1880  
Toll Free: 1-888-331-1523

**Temperature Rating**

-65°F to 500°F

**Pressure Rating**

4000psi

**Material**

C1045 Steel

**Finish**

Trivalent Zinc

**Industry Standards**

SAE J518 Code 61  
SAE J514, ASTM B633

**Series**

1704-FG

**Series Description**

SAE J514 37° Flare 90° Code 61  
Flange Forged Elbow