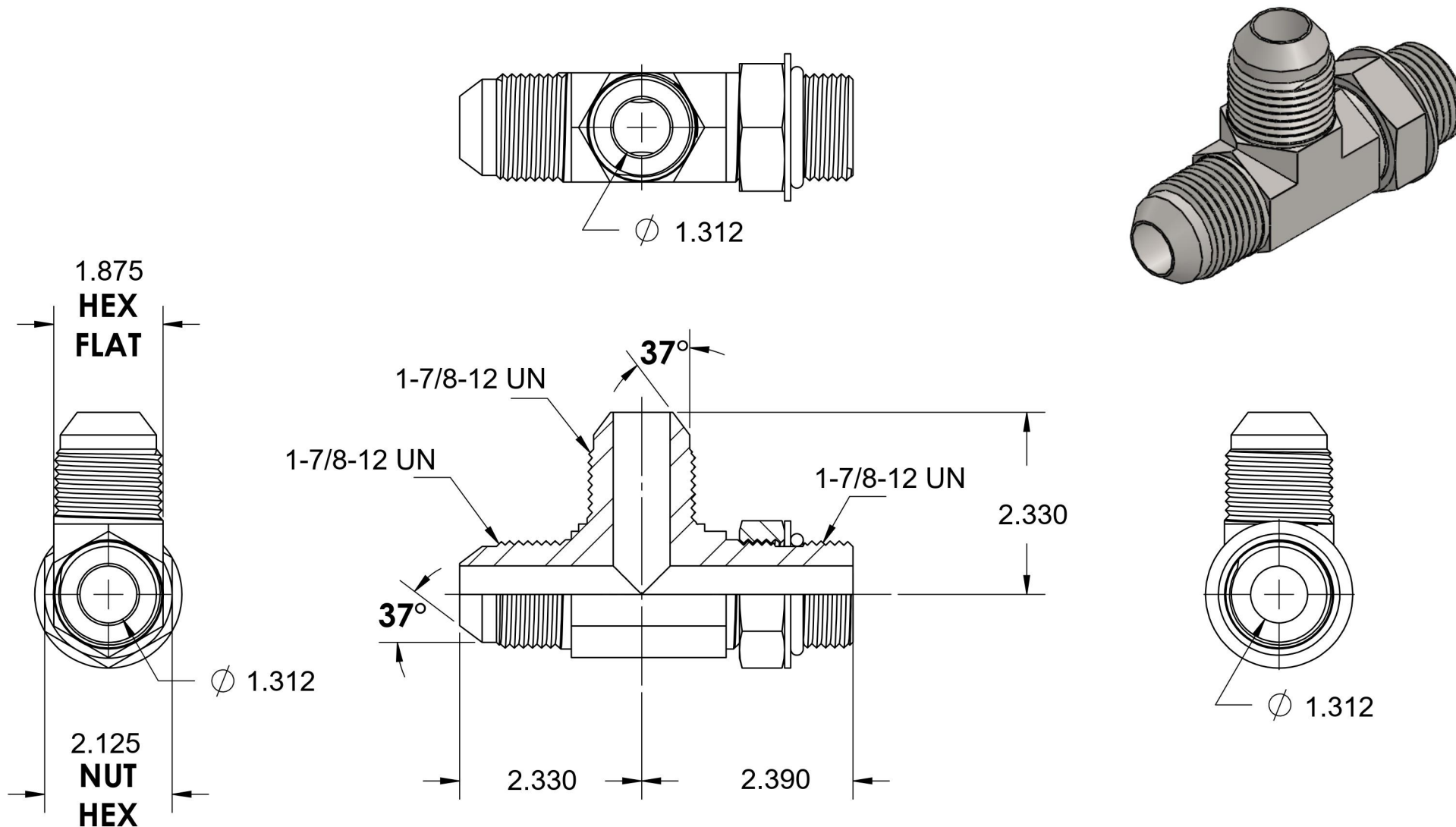


6804-24-24-24-NWO-FG-VITON

Steel, SAE J514 37° Flare Adjustable Port Run Tee, 1-1/2" Male JIC x 1-7/8-12 Male Adjustable ORB x 1-1/2" Male JIC, FKM Seal



6701 Cochran Road
Solon, Ohio 44139
Phone: (440) 248-1880
Toll Free: 1-888-331-1523

Temperature Rating	Material	Industry Standards	Series
-15°F to 400°F	C1045 Steel	SAE J514, SAE J1926-3 SAE J515, ASTM B633	6804-NWO-FG-VITON
Pressure Rating	Finish		Series Description
3000 psi	Trivalent Zinc		SAE J514 37° Flare Adjustable Port Run Tee