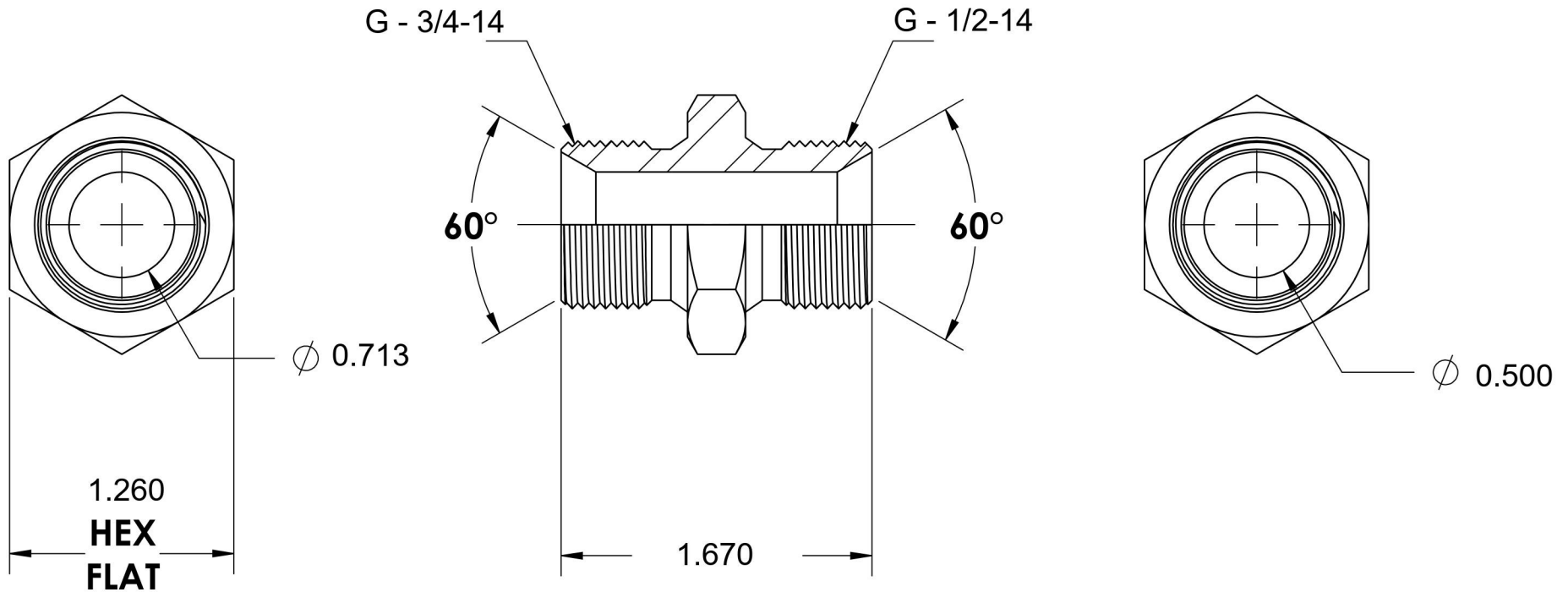
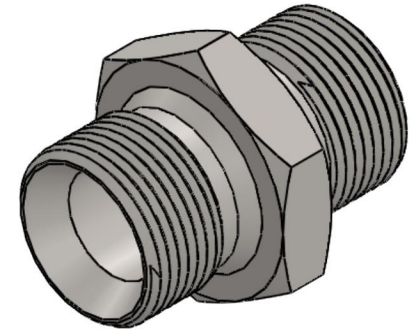


9022-12-08

Steel, ISO 1179 BSPP Port/Line Union, 3/4-14 Male BSPP 60° Line/Port x 1/2-14 Male BSPP 60° Line/Port



6701 Cochran Road
Solon, Ohio 44139
Phone: (440) 248-1880
Toll Free: 1-888-331-1523

Temperature Rating	Material	Industry Standards	Series
-65°F to 500°F	C1045/12L14 Steel	ISO 1179, ISO 8434-6 ASTM B633	9022
Pressure Rating	Finish		Series Description
2900 psi	Trivalent Zinc		ISO 1179 BSPP Port/Line Union