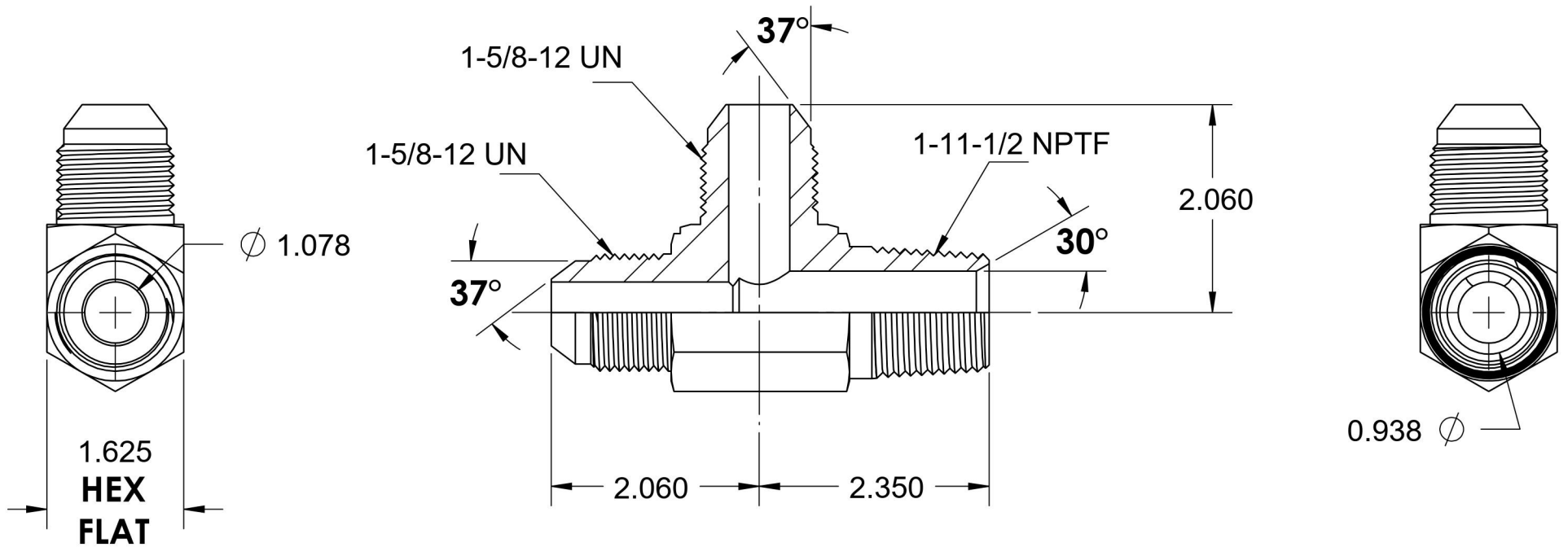
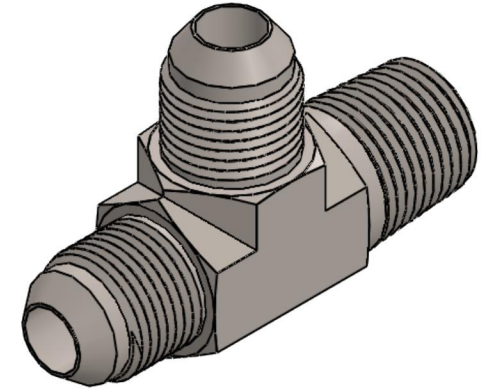
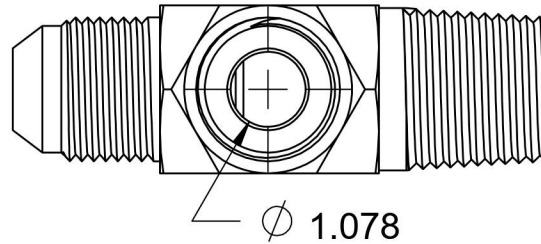


2605-20-16-20-SS

Stainless Steel, SAE J514 37° Flare Male Run Tee, 1-1/4" Male JIC x 1" Male NPTF 30° x 1-1/4" Male JIC



6701 Cochran Road
Solon, Ohio 44139
Phone: (440) 248-1880
Toll Free: 1-888-331-1523

Temperature Rating

-425°F to 1200°F

Pressure Rating

2500 psi

Material

316/316L Stainless Steel

Finish

Passivated

Industry Standards

SAE J514 , SAE J476

Series

2605-SS

Series Description

SAE J514 37° Flare Male Run Tee