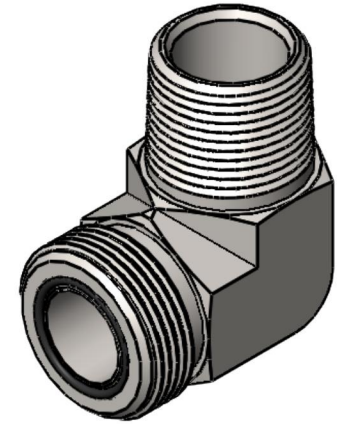
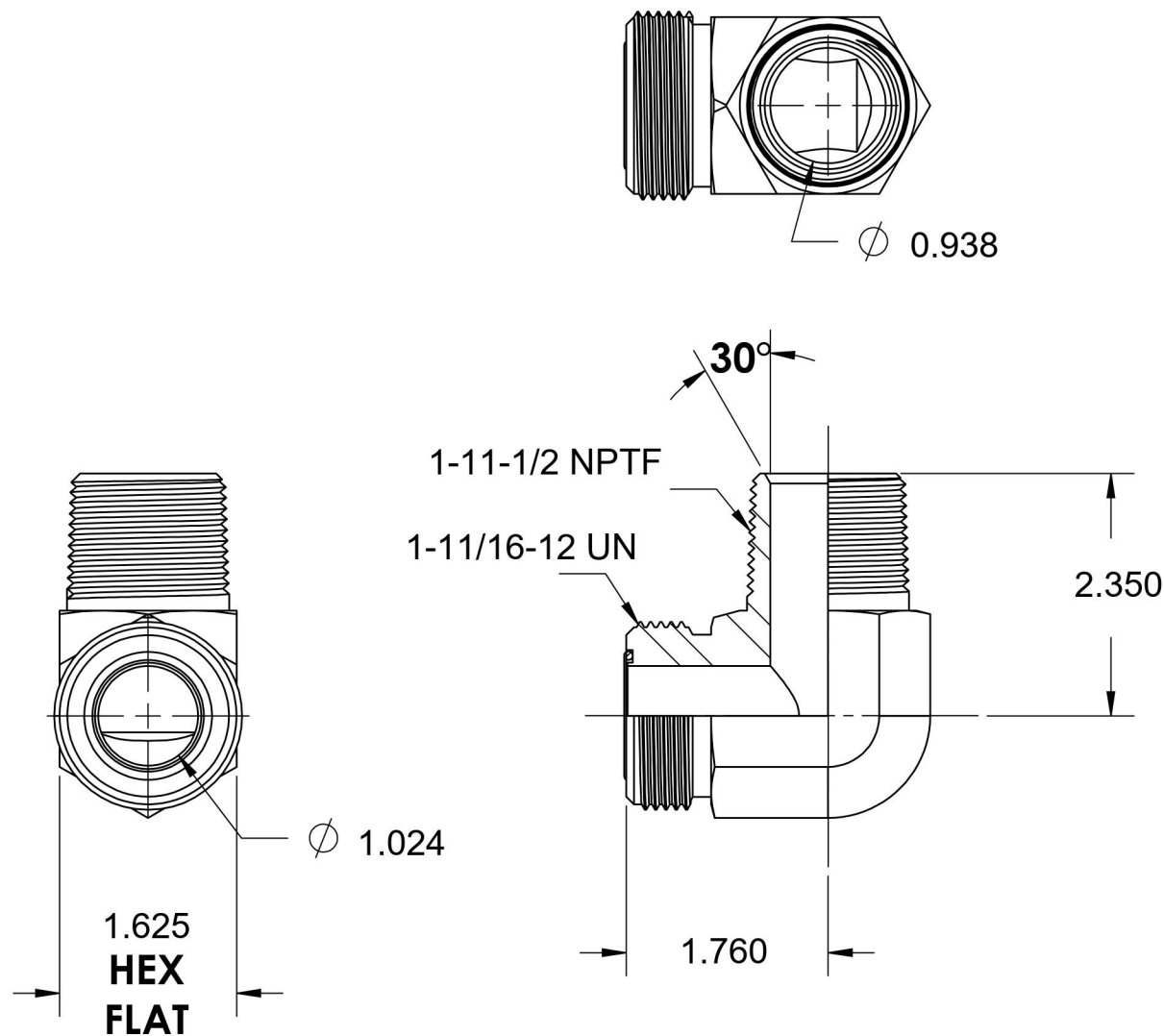


FS2501-20-16-FG

Steel, SAE J1453 O-Ring Face Seal 90° Male Elbow, 1-1/4" Male ORFS x 1" Male NPTF 30°



6701 Cochran Road
Solon, Ohio 44139
Phone: (440) 248-1880
Toll Free: 1-888-331-1523

Temperature Rating

-40°F to 250°F

Pressure Rating

5500 psi

Material

C1045 Steel

Finish

Trivalent Zinc

Industry Standards

SAE J1453, SAE J476
SAE J515, ASTM B633

Series

FS2501-FG

Series Description

SAE J1453 O-Ring Face Seal
90° Male Elbow