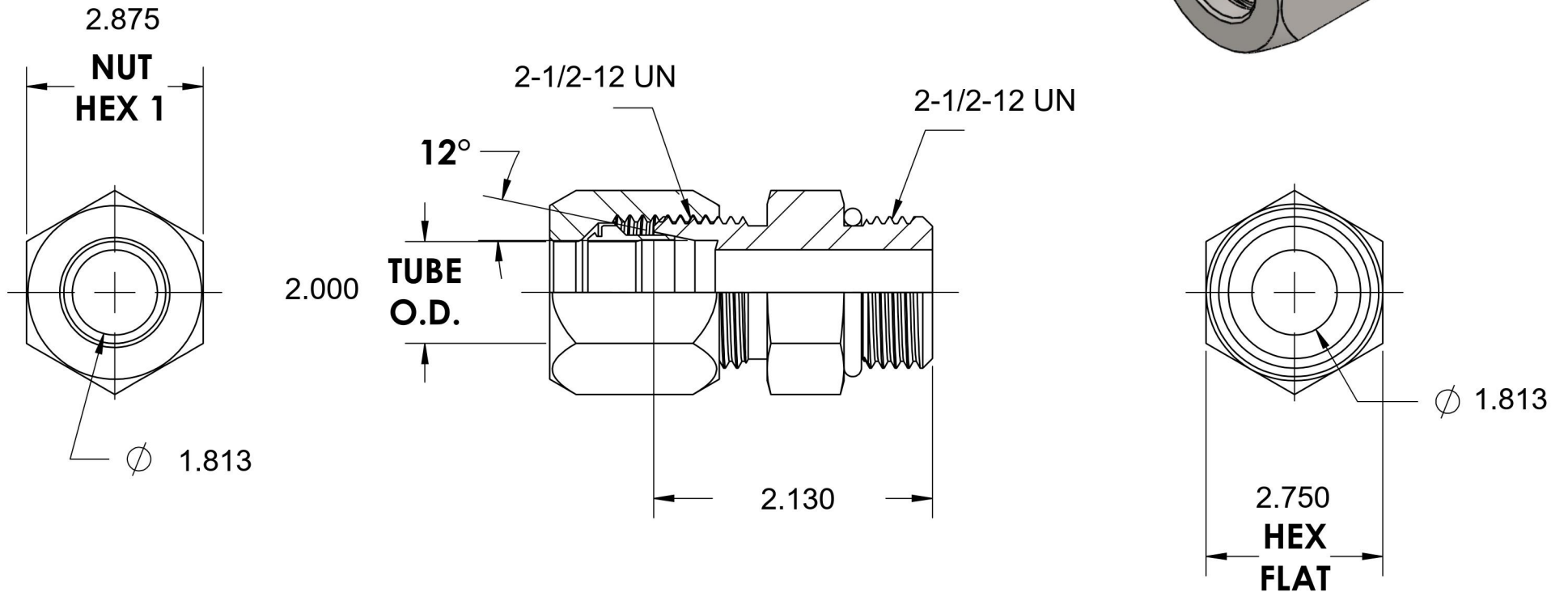
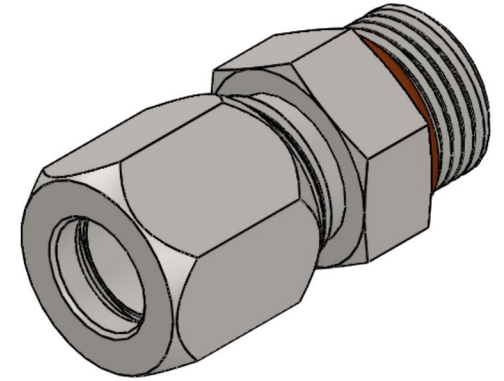


# C6400-32-32-O-VITON

Steel, SAE J514 Flareless Tube Port Connector, 2" Flareless Bite Type x 2-1/2-12 Male ORB, FKM Seal



6701 Cochran Road  
Solon, Ohio 44139  
Phone: (440) 248-1880  
Toll Free: 1-888-331-1523

<b>Temperature Rating</b>	<b>Material</b>	<b>Industry Standards</b>	<b>Series</b>
-15°F to 400°F	C1045 Steel	SAE J514, SAE J1926 ASTM B633	C6400-O
<b>Pressure Rating</b>	<b>Finish</b>		<b>Series Description</b>
2000psi	Trivalent Zinc		SAE J514 Flareless Tube Port Connector