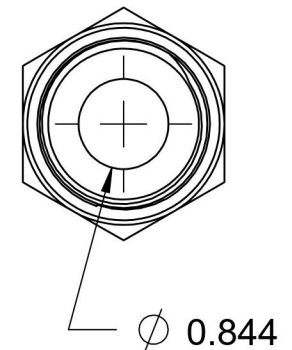
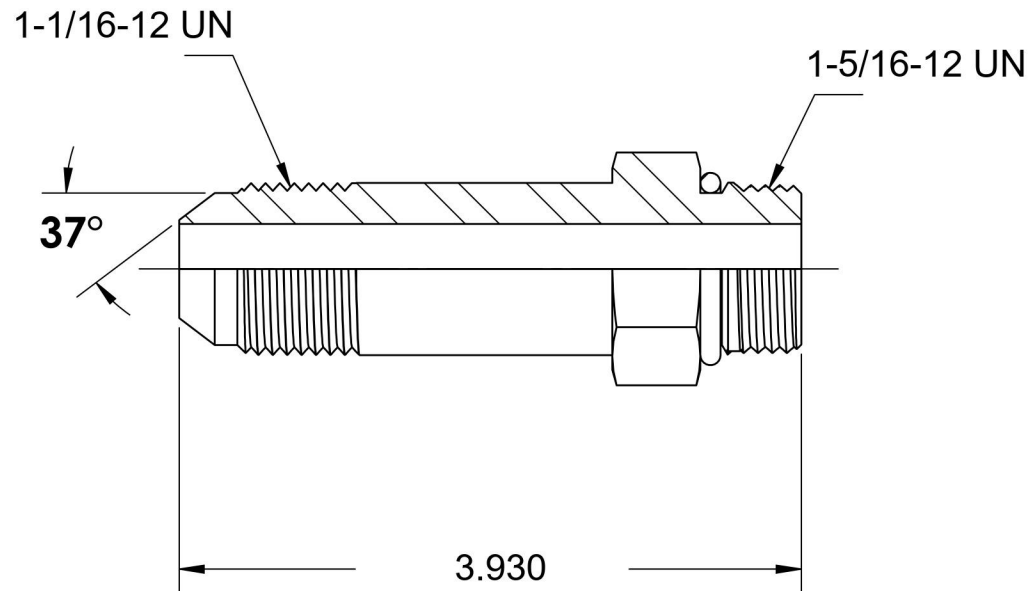
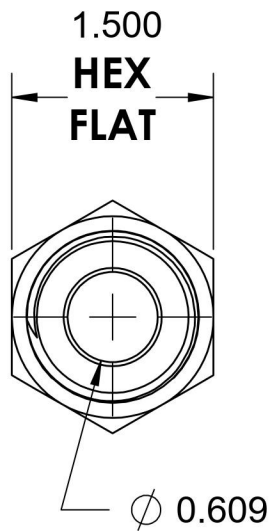
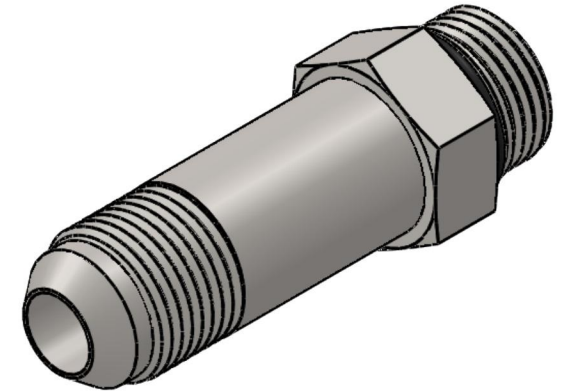


# 6400-L-12-16-O

Steel, SAE J514 37° Flare Long Port Connector, 3/4" Male JIC x 1-5/16-12 Male ORB



6701 Cochran Road  
Solon, Ohio 44139  
Phone: (440) 248-1880  
Toll Free: 1-888-331-1523

#### Temperature Rating

-40°F to 250°F

#### Pressure Rating

4500 psi

#### Material

C1045/12L14 Steel

#### Finish

Trivalent Zinc

#### Industry Standards

SAE J514, SAE J1926-3  
SAE J515, ASTM B633

#### Series

6400-L-O

#### Series Description

SAE J514 37° Flare  
Long Port Connector