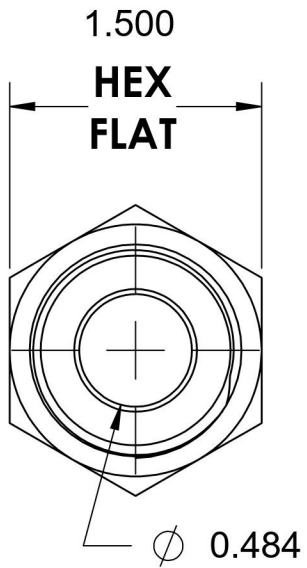
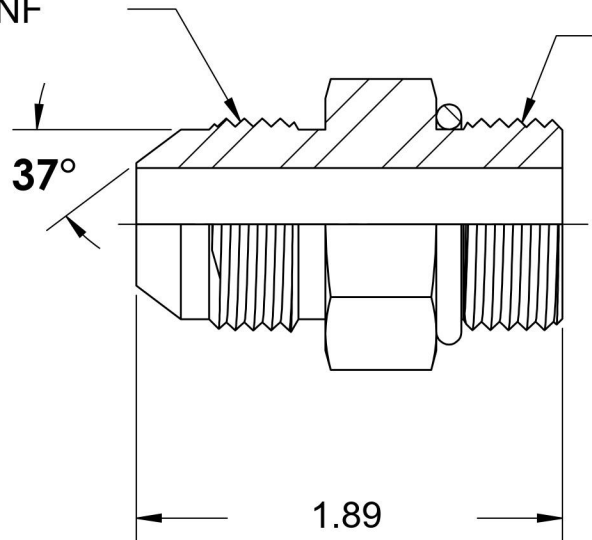


6400-10-16-O-VITON

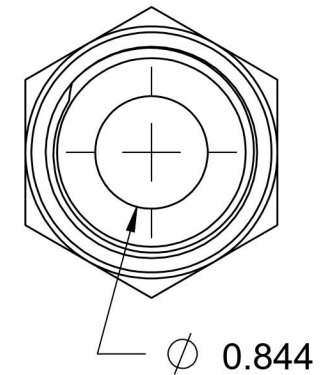
Steel, SAE J514 37° Flare Port Connector, 5/8" Male JIC x 1-5/16-12 Male ORB, FKM Seal



7/8-14 UNF



1-5/16-12 UN



6701 Cochran Road
Solon, Ohio 44139
Phone: (440) 248-1880
Toll Free: 1-888-331-1523

Temperature Rating -15°F to 400°F	Material C1045 / 12L14 Steel	Industry Standards SAE J514, SAE J1926-3 ASTM B633	Series 6400-O-VITON
Pressure Rating 4500 psi	Finish Trivalent Zinc		Series Description SAE J514 37° Flare Port Connector