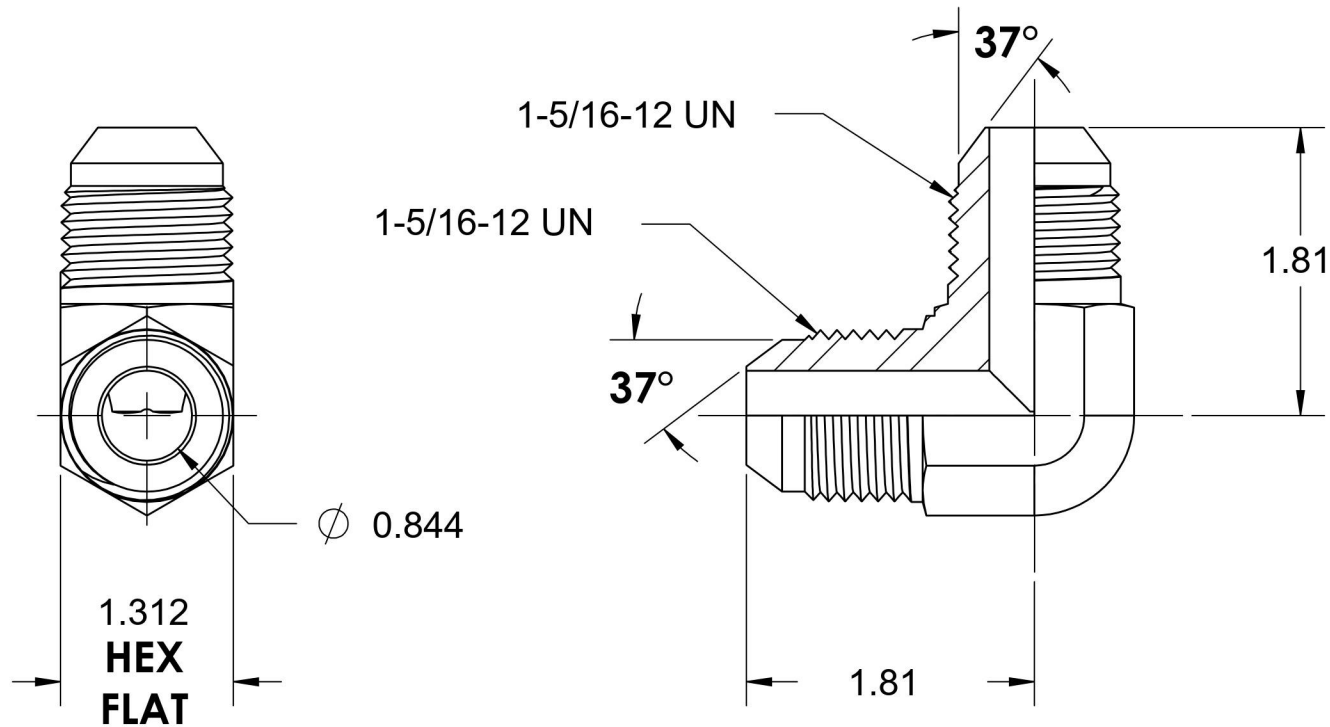
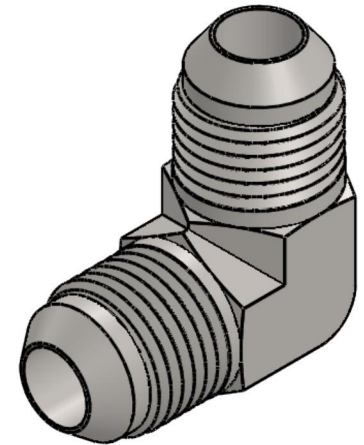
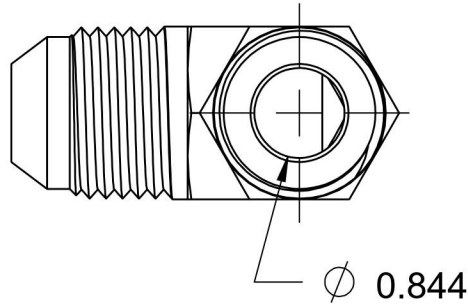


# 2500-16-16-SS

Stainless Steel, SAE J514 37° Flare 90° Union Elbow, 1" Male JIC x 1" Male JIC



6701 Cochran Road  
Solon, Ohio 44139  
Phone: (440) 248-1880  
Toll Free: 1-888-331-1523

|   |   |                                       |  |
|---|---|---------------------------------------|--|
| <b>Temperature Rating</b><br>-425°F to 1200°F | <b>Material</b><br>316/316L Stainless Steel | <b>Industry Standards</b><br>SAE J514 | <b>Series</b><br>2500-SS   |
| <b>Pressure Rating</b><br>3500 psi            | <b>Finish</b><br>Passivated                 |                                       | <b>Series Description</b><br>SAE J514 37° Flare<br>90° Union Elbow |