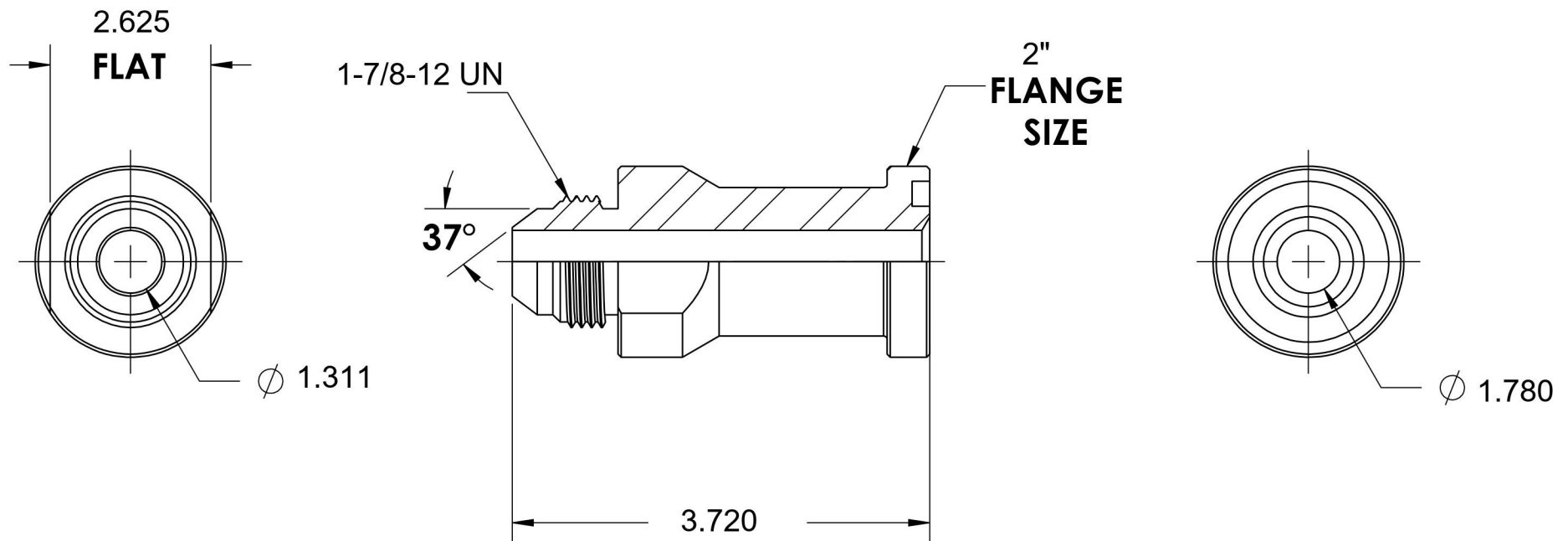


1700-24-32-SS

Stainless Steel, SAE J514 37° Flare Code 61 Flange Adapter, 1-1/2" Male JIC x 2" Split Flange Head



6701 Cochran Road
Solon, Ohio 44139
Phone: (440) 248-1880
Toll Free: 1-888-331-1523

Temperature Rating	Material	Industry Standards	Series
-425°F to 1200°F	316/316L Stainless Steel	SAE J518 Code 61 SAE J514	1700-SS
Pressure Rating	Finish		Series Description
2000 psi	Passivation		SAE J514 37° Flare Code 61 Flange Adapter