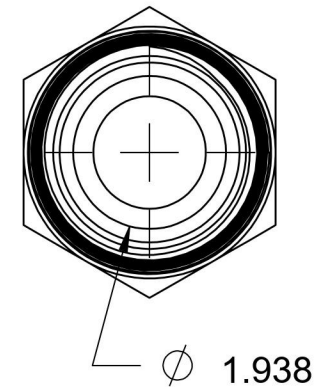
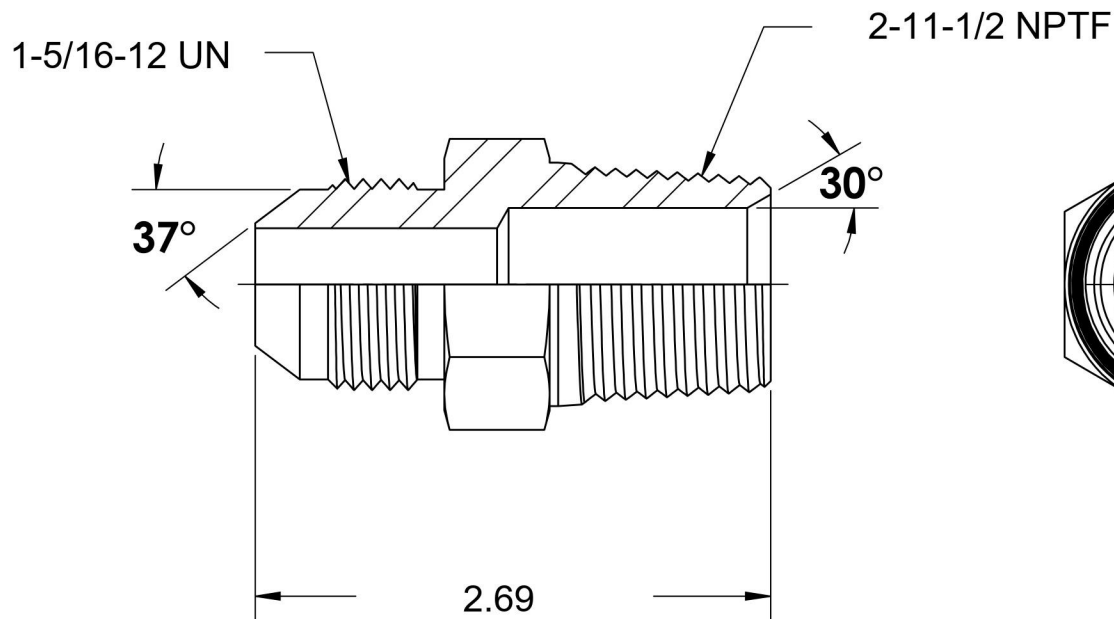
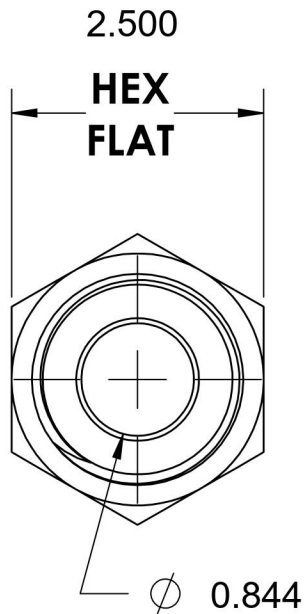


2404-16-32

Steel, SAE J514 37° Flare Male Connector, 1" Male JIC x 2" Male NPTF 30°



6701 Cochran Road
Solon, Ohio 44139
Phone: (440) 248-1880
Toll Free: 1-888-331-1523

| | | | |
|---------------------------|-------------------|----------------------------------|-----------------------------------|
| Temperature Rating | Material | Industry Standards | Series |
| -65°F to 500°F | C1045/12L14 Steel | SAE J514 , SAE J476 ASTM B633 | 2404 |
| Pressure Rating | Finish | | Series Description |
| 2000 psi | Trivalent Zinc | | SAE J514 37° Flare Male Connector |