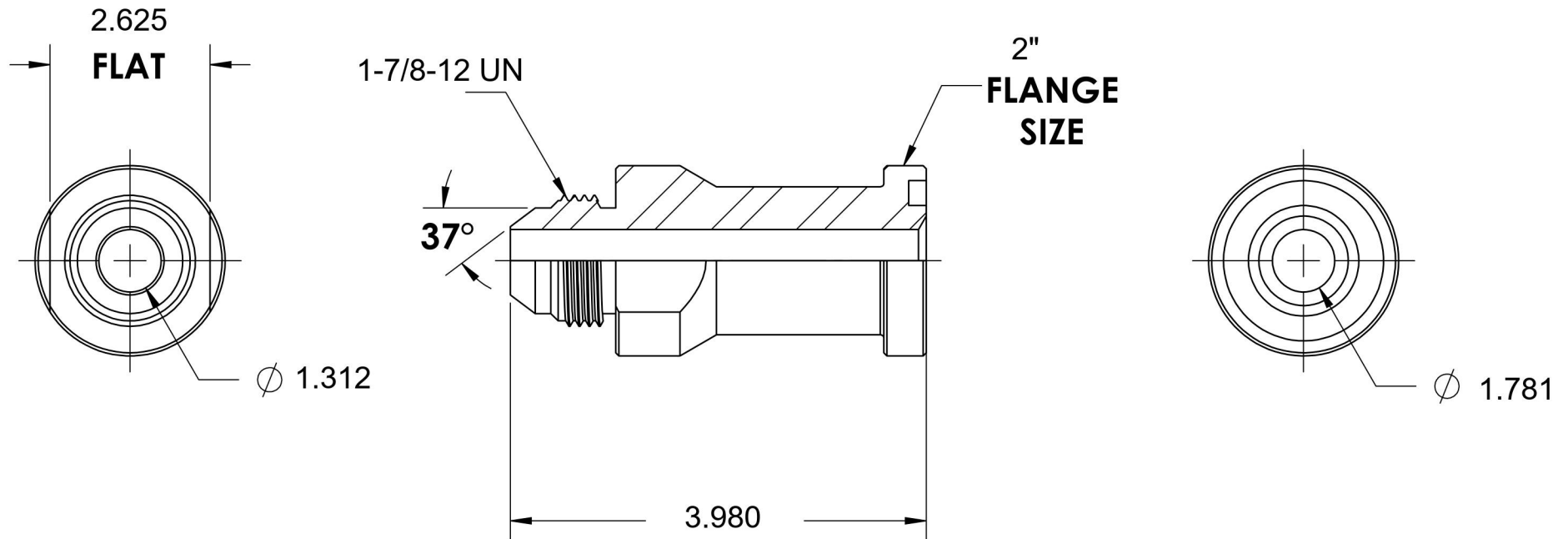
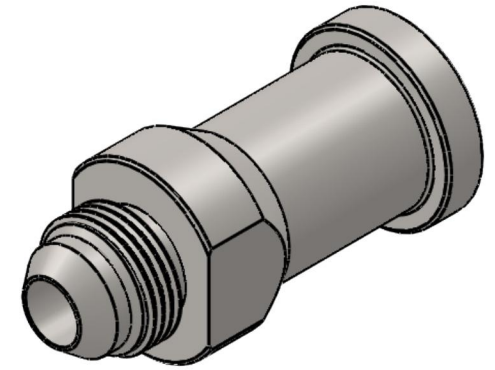


1800-24-32

Steel, SAE J514 37° Flare Code 62 Flange Adapter, 1-1/2" Male JIC x 2" Split Flange Head



6701 Cochran Road
Solon, Ohio 44139
Phone: (440) 248-1880
Toll Free: 1-888-331-1523

Temperature Rating -65°F to 500°F	Material C1045/12L14 Steel	Industry Standards SAE J518 Code 62, SAE J514 ASTM B633	Series 1800
Pressure Rating 3000 psi	Finish Trivalent Zinc		Series Description SAE J514 37° Flare Code 62 Flange Adapter