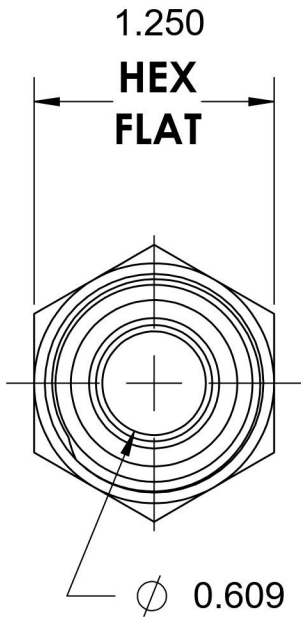
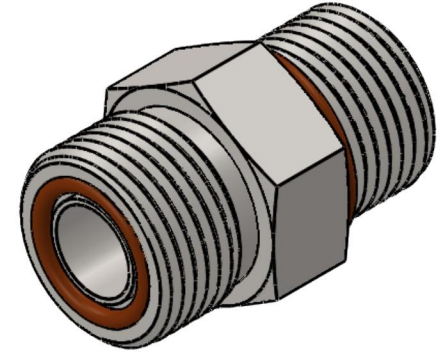
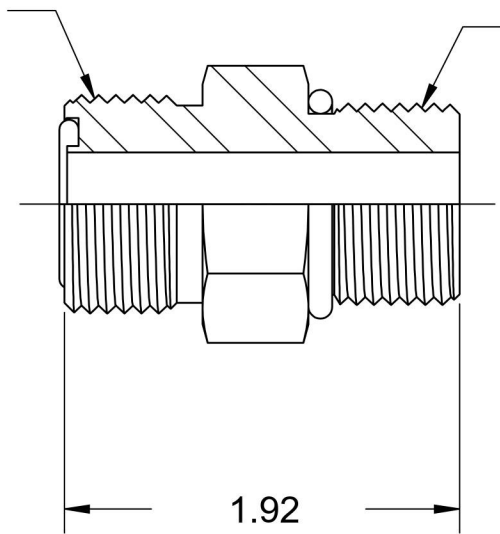


FS6400-12-12-O-SS-VITON

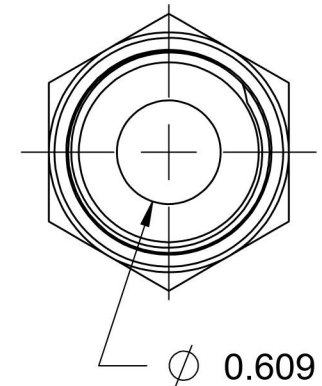
Stainless Steel, SAE J1453 O-Ring Face Seal Port Connector, 3/4" Male ORFS x 1-1/16-12 Male ORB, FKM Seal



1-3/16-12 UN



1-1/16-12 UN



6701 Cochran Road
Solon, Ohio 44139
Phone: (440) 248-1880
Toll Free: 1-888-331-1523

Temperature Rating

-15°F to 400°F

Pressure Rating

6000 psi

Material

316/316L Stainless Steel

Finish

Passivated

Industry Standards

SAE J1453, SAE J1926-2

Series

FS6400-O-SS-VITON

Series Description

SAE J1453 O-Ring Face Seal
Port Connector