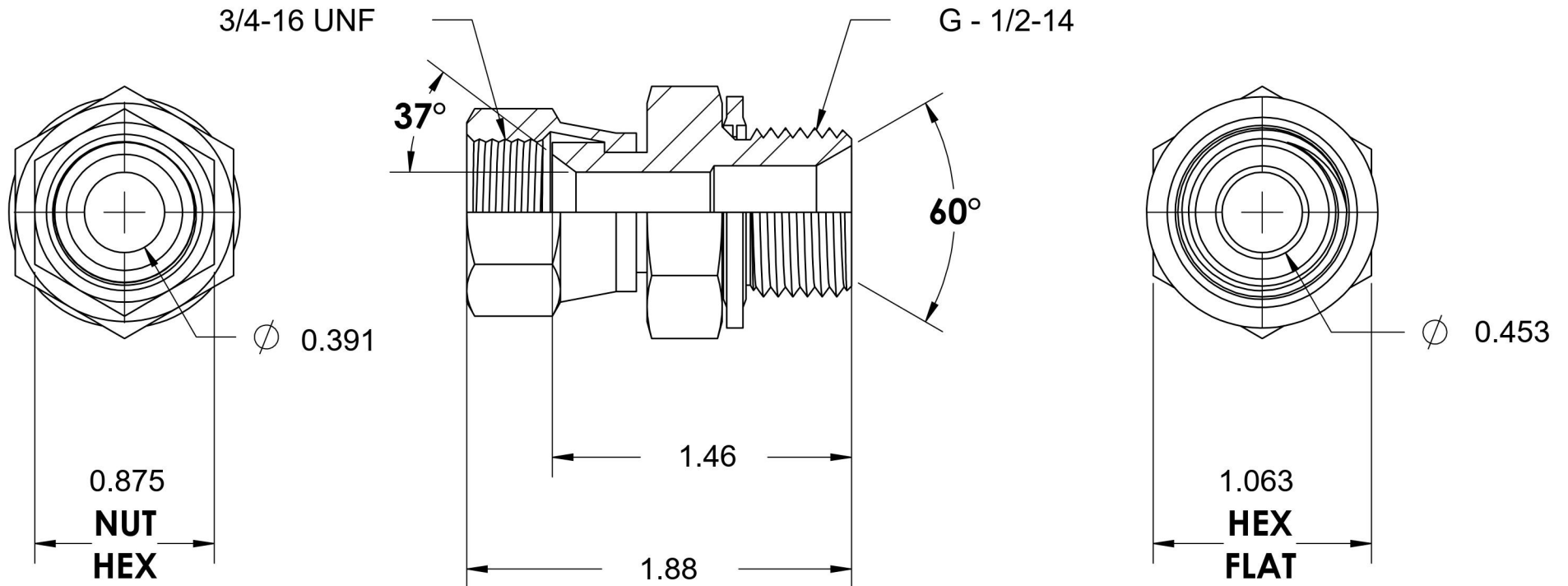
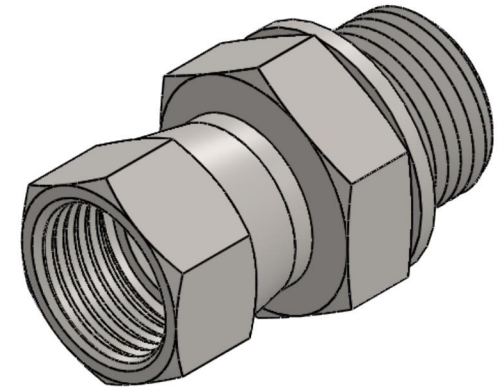


7022-08-08-SS-BS

Stainless Steel, SAE J514 37° Flare Swivel BSPP Type (D) Bonded Seal Port/Line Connector, 1/2" Female JIC Swivel x 1/2-14 Male BSPP 60° Line/Port



6701 Cochran Road
Solon, Ohio 44139
Phone: (440) 248-1880
Toll Free: 1-888-331-1523

| | | | |
|--------------------|--------------------------|--------------------|--|
| Temperature Rating | Material | Industry Standards | Series |
| -40°F to 250°F | 316/316L Stainless Steel | SAE J514, ISO 1179 | 7022-BS-SS |
| Pressure Rating | Finish | ISO 8434-6 | Series Description |
| 2900 psi | Passivated | | SAE J514 37° Flare Swivel BSPP Type (D) Bonded Seal Port/Line Connector |