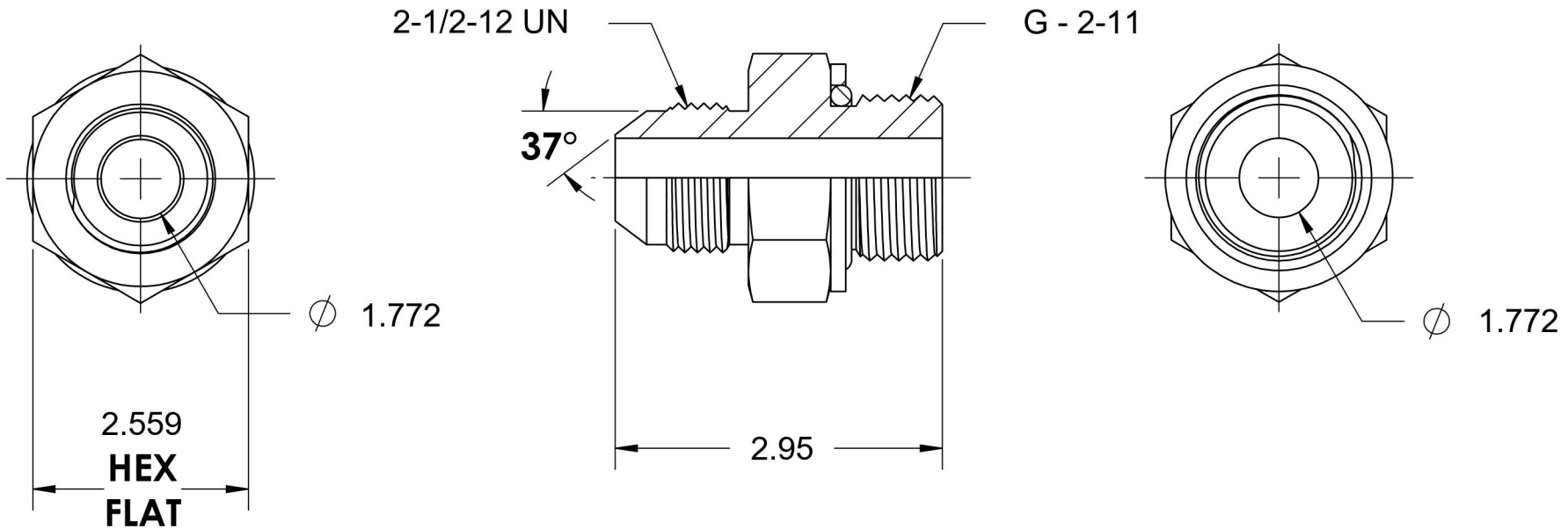


7012-32-32

Steel, SAE J514 37° Flare Male BSPP Type (G) Port Connector, 2" Male JIC x 2-11 Male BSPP ORR



6701 Cochran Road
Solon, Ohio 44139
Phone: (440) 248-1880
Toll Free: 1-888-331-1523

Temperature Rating -40°F to 250°F	Material C1045 / 12L14 Steel	Industry Standards SAE J514, ISO 1179 ASTM B633	Series 7012-ORR
Pressure Rating 1000 psi	Finish Trivalent Zinc		Series Description SAE J514 37° Flare Male BSPP Type (G) Port Connector