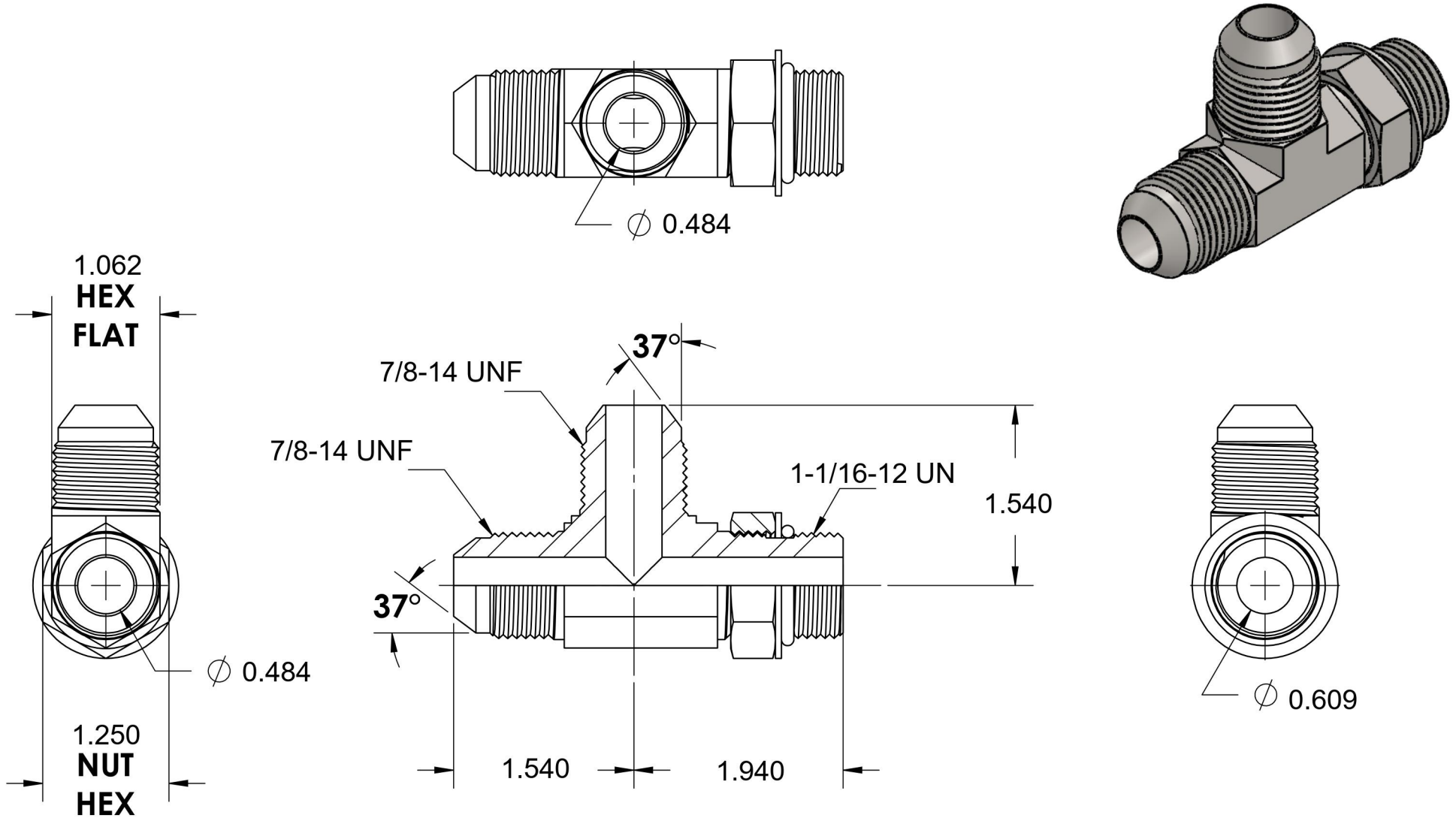


# 6804-10-12-10-NWO-FG

Steel, SAE J514 37° Flare Adjustable Port Run Tee, 5/8" Male JIC x 1-1/16-12 Male Adjustable ORB x 5/8" Male JIC



6701 Cochran Road  
Solon, Ohio 44139  
Phone: (440) 248-1880  
Toll Free: 1-888-331-1523

#### Temperature Rating

-40°F to 250°F

#### Pressure Rating

5000 psi

#### Material

C1045 Steel

#### Finish

Trivalent Zinc

#### Industry Standards

SAE J514, SAE J1926-3  
SAE J515, ASTM B633

#### Series

6804-NWO-FG

#### Series Description

SAE J514 37° Flare  
Adjustable Port Run Tee