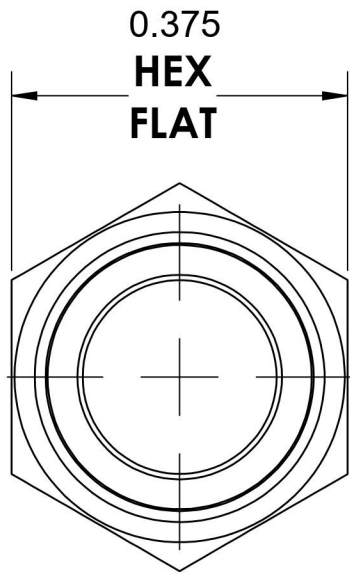
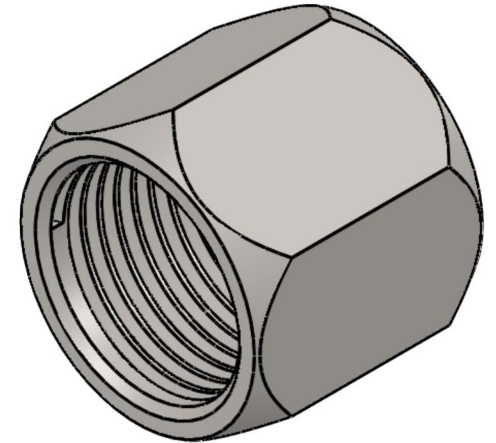
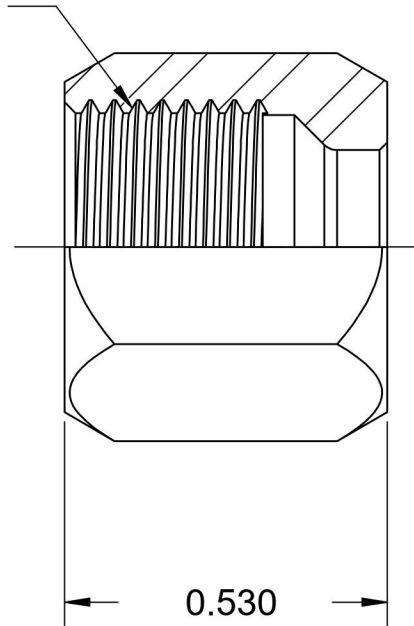


C0318-02

Steel, SAE J514 Flareless Tube Nut, 1/8" Flareless Bite Type Nut



5/16-24 UNF



6701 Cochran Road
Solon, Ohio 44139
Phone: (440) 248-1880
Toll Free: 1-888-331-1523

Temperature Rating -65°F to 500°F	Material C1045 Steel	Industry Standards SAE J514, ASTM B633	Series C0318
Pressure Rating Not Applicable	Finish Trivalent Zinc		Series Description SAE J514 Flareless Tube Nut