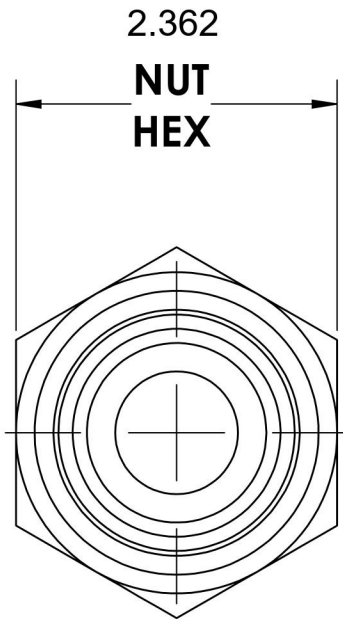
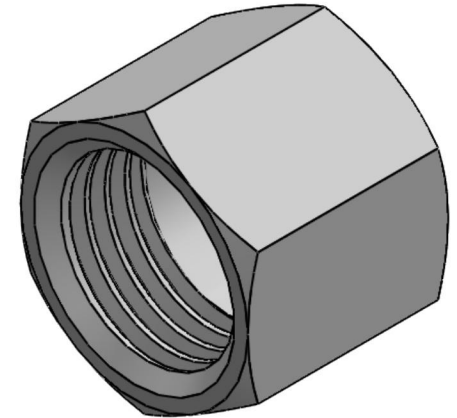
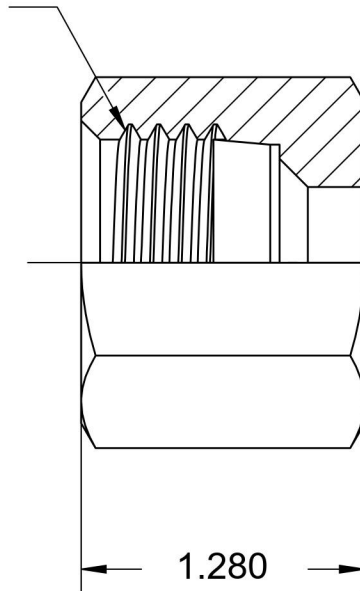


D0318-S38

Steel, DIN 2353 Tube Nut, Heavy 38mm Tube OD



M52x2



6701 Cochran Road
Solon, Ohio 44139
Phone: (440) 248-1880
Toll Free: 1-888-331-1523

Temperature Rating

-65°F to 500°F

Pressure Rating

6092psi

Material

C22 Steel

Finish

Zinc Nickel

Industry Standards

DIN 2353, ISO 8434-1

Series

D0318

Series Description

DIN 2353 Flareless Tube Nut